

REVISION HISTORY

SCH REV	PCB REV	ECO NO.	DATE	COMMENT
-	-	-		


NOTES :

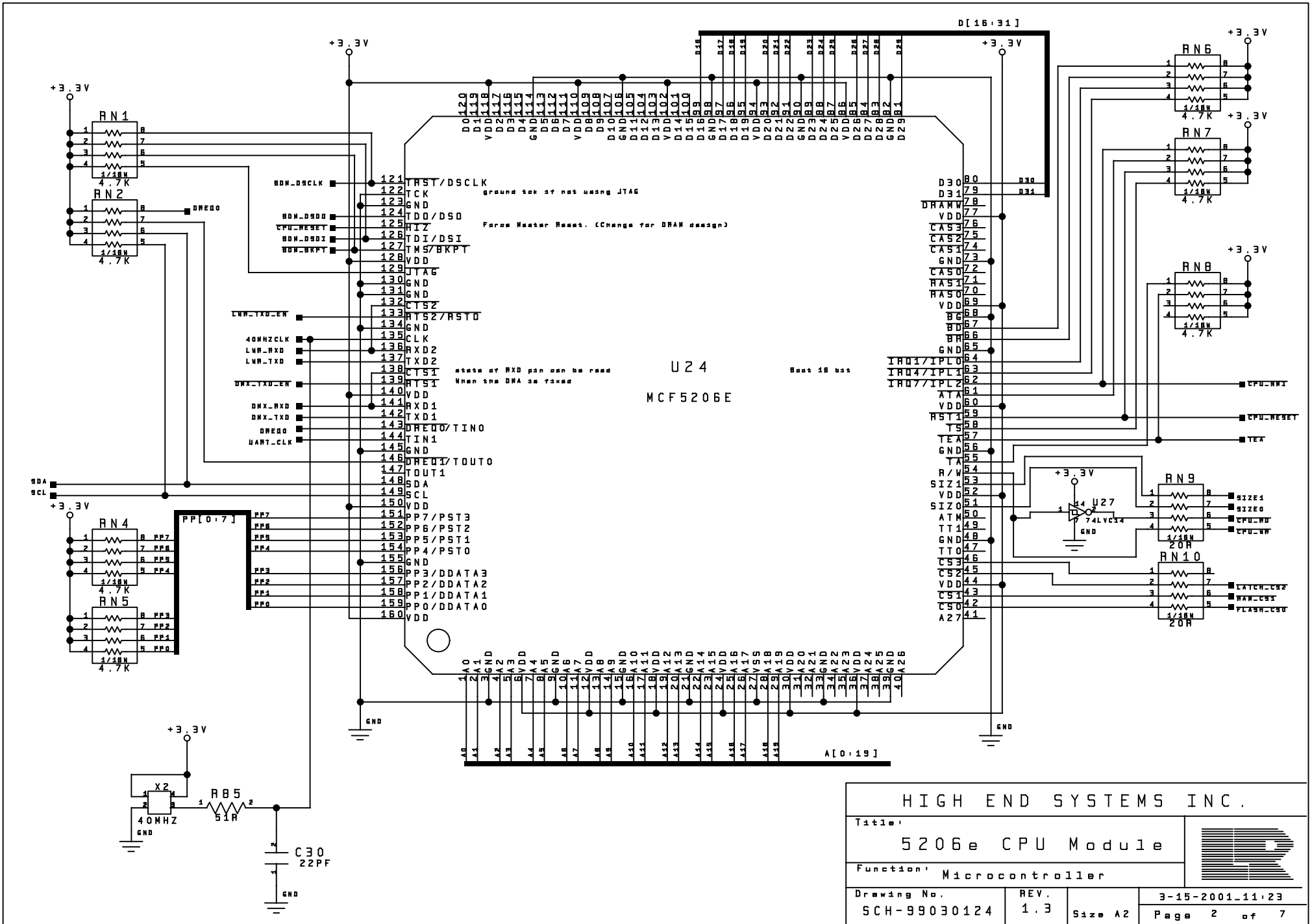
UNLESS OTHERWISE SPECIFIED :


1. ALL RESISTOR VALUES ARE IN OHMS
2. ALL RESISTORS ARE 1/8 WATT 5% OR BETTER SMT 1206
3. CAPACITOR VALUES ARE IN PICO FARADS
4. ALL NON POLARIZED CAPACITORS ARE 50V OR BETTER
VALUES BELOW 470pF ARE NPO/COG TYPE 5%
VALUES 470pF TO 1000pF ARE X7R 10%
VALUES ABOVE 1000pF ARE Z5U +/- 20 %
5. ALL POLARIZED CAPACITORS ARE 20% OR BETTER

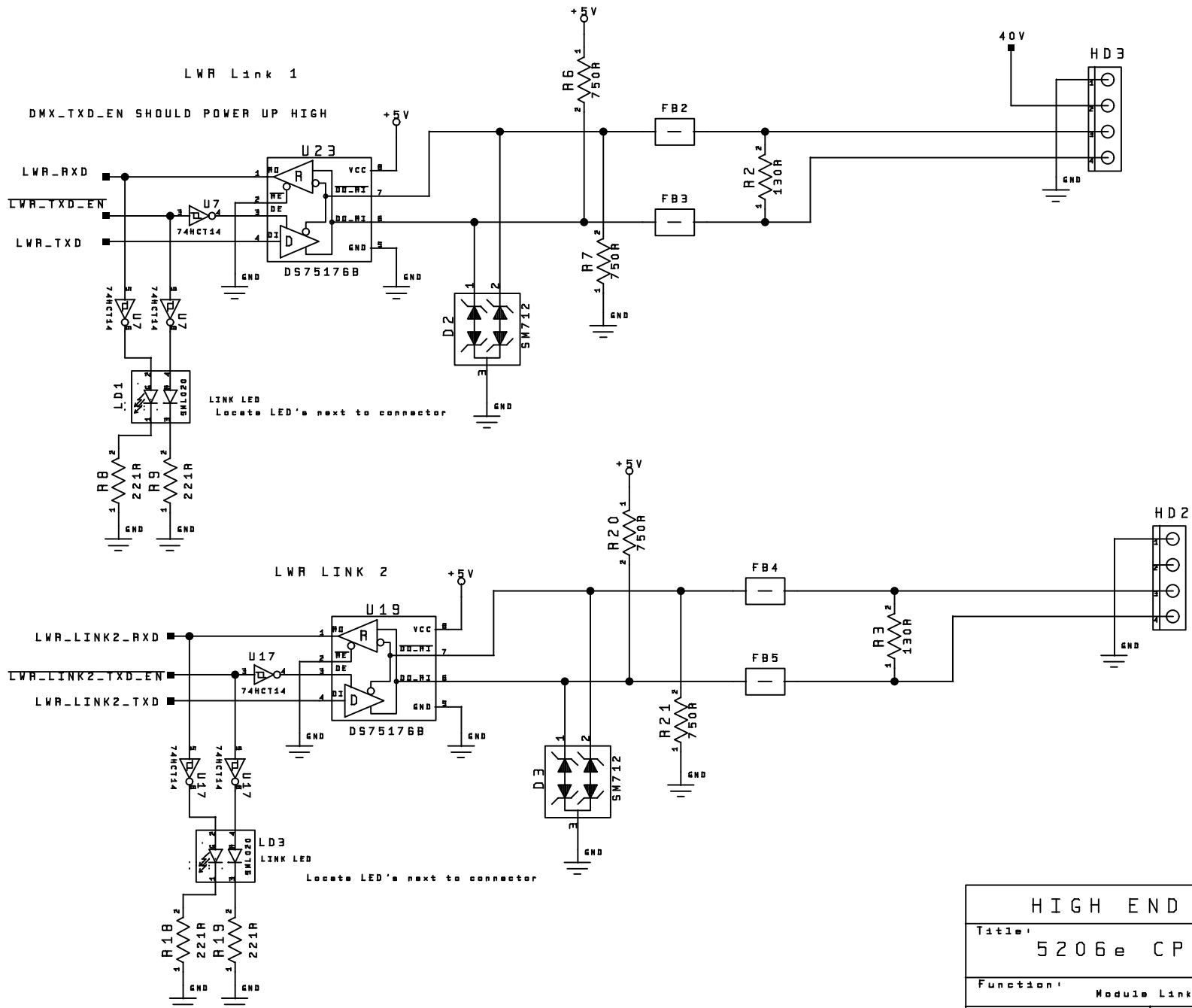
Copyright (c) 1994-2001 High End Systems, Inc. All rights reserved worldwide.

Name, Lightwave Research, the Lightwave Research logo, High End Systems and the High End Systems logo are registered trademarks of High End Systems, Inc. Trademarks and trade names of others may be used in this document to refer to either such other entities or to their products. High End Systems Inc. disclaims any proprietary interest or connection to such marks or entities.

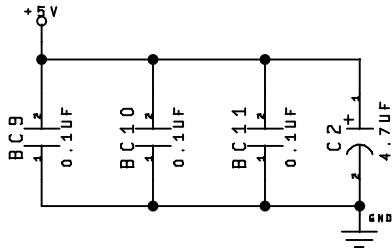
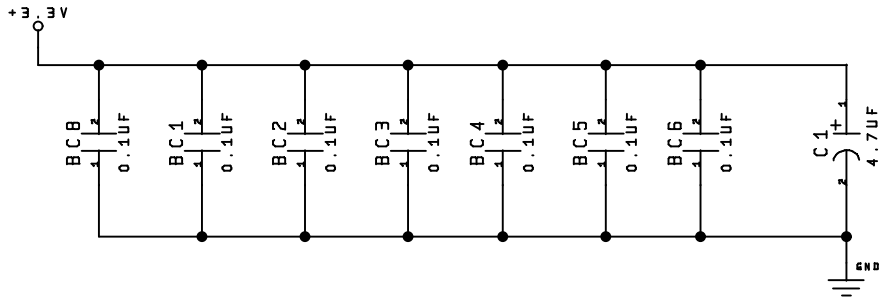
HIGH END SYSTEMS INC.			
Title:		5206e CPU Module	
			
Function:			
Drawing No.	REV.	Designed:	
SCH-99030124	1.3	SCOTT INGHAM	
Drawn: MYERS		Approved:	
3-15-2001-11-23	Size A2	Page 1	OF 7



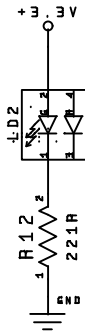
HIGH END SYSTEMS INC.			
Title:			
5206e CPU Module			
Function: Microcontroller			
Drawing No.	REV.	3-15-2001.11.23	
SCH-99030124	1.3	Size A2	Page 2 of 7



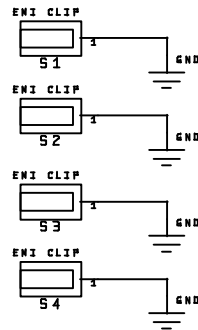
HIGH END SYSTEMS INC.			
Title:		5206e CPU Module	
Function:		Module Link	
Drawing No.	REV.	Size	3-20-2001.14.46
SCH-99030124	1.3	A2	Page 4 of 7



POWER LED

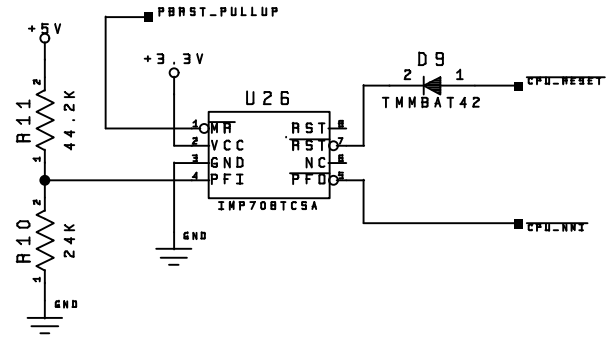


EMI COVER CLIPS

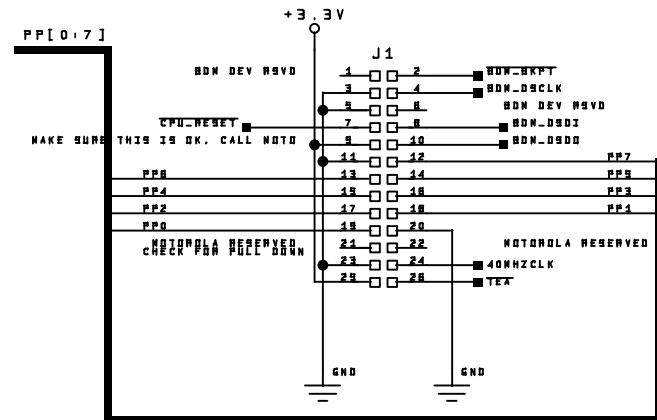


Mount on perimeter of all high speed logic so that the cover clips snap over all 4 wires

CPU MONITOR



BDM CONNECTOR



HIGH END SYSTEMS INC.

Title:

5206e CPU Module

Function:

SUPPORT CIRCUITS

Drawing No.

SCH-99030124

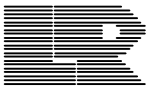
REV.

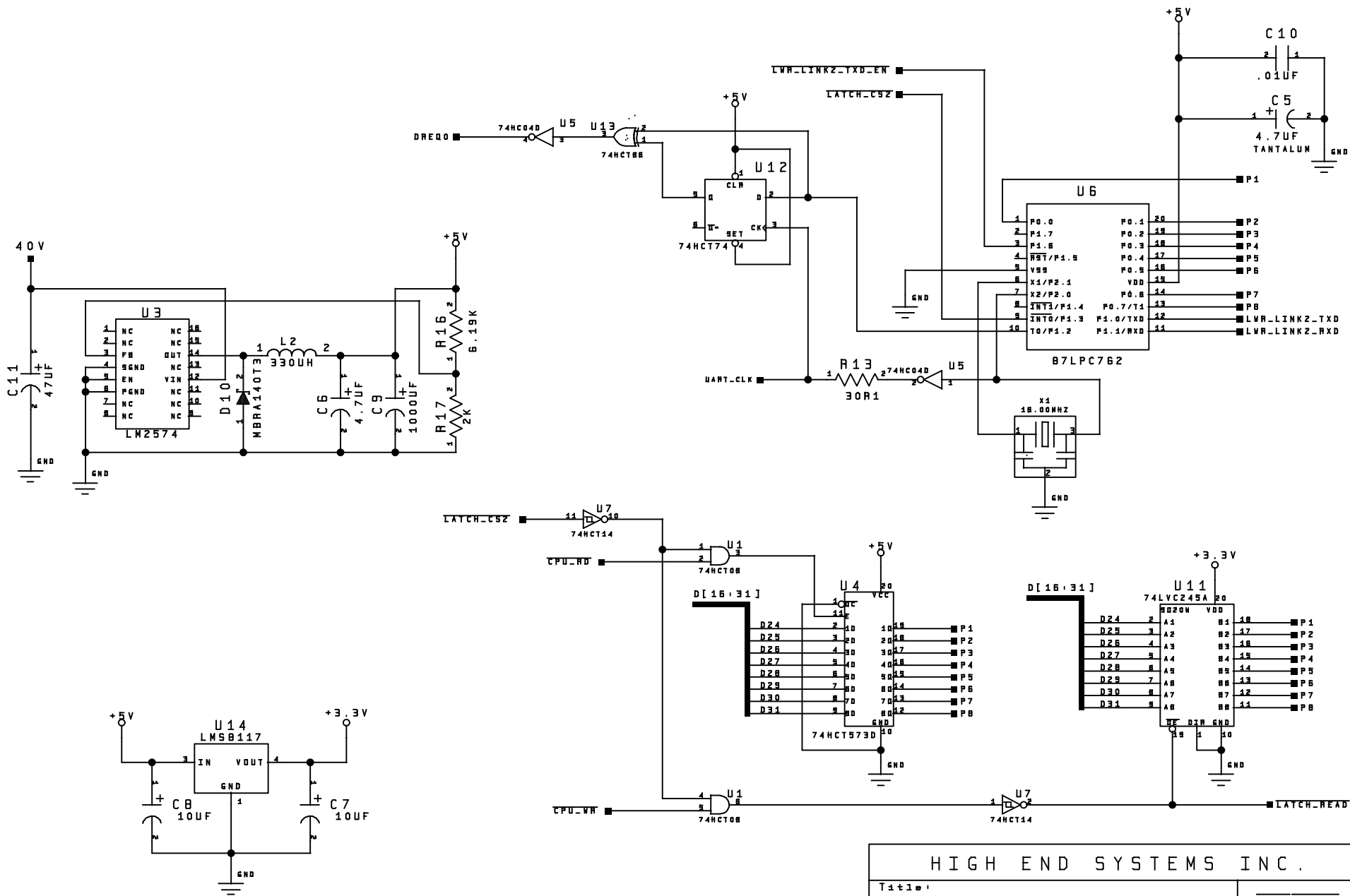
1.3

Size A2

3-15-2001_11.23

Page 5 of 7





HIGH END SYSTEMS INC.			
Title:		5206e CPU Module	
Function:		DMX UART // POWER	
Drawing No.	REV.	Size	3-20-2001.13.50
SCH-99030124	1.3	A2	Page 7 of 7

