

REVISION HISTORY

SCH REV	PCB REV	ECO NO.	DATE	COMMENT
1.2	1.2		8-18-99	

NOTES :

UNLESS OTHERWISE SPECIFIED :

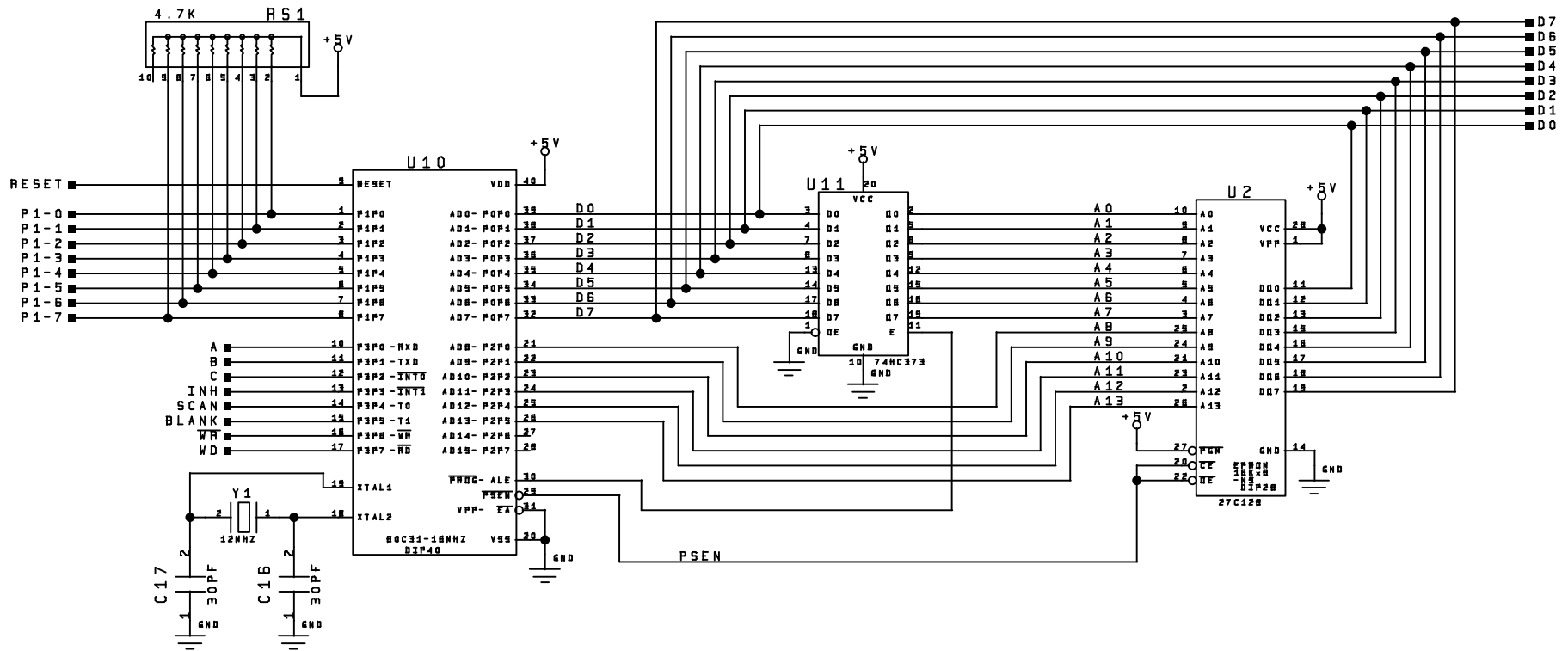
1. ALL RESISTOR VALUES ARE IN OHMS
2. ALL RESISTORS ARE 1/4 WATT 5% OR BETTER
3. CAPACITOR VALUES ARE IN PICO FARADS
4. ALL NON POLARIZED CAPACITORS ARE 50V OR BETTER
 VALUES BELOW 470pF ARE NPO/COG TYPE 5%
 VALUES 470pF TO 1000pF ARE X7R 10%
 VALUES ABOVE 1000pF ARE Z5U +/- 20 %
5. ALL POLARIZED CAPACITORS ARE 20% OR BETTER


Copyright (c) 1994-1999 High End Systems, Inc. All rights reserved worldwide.

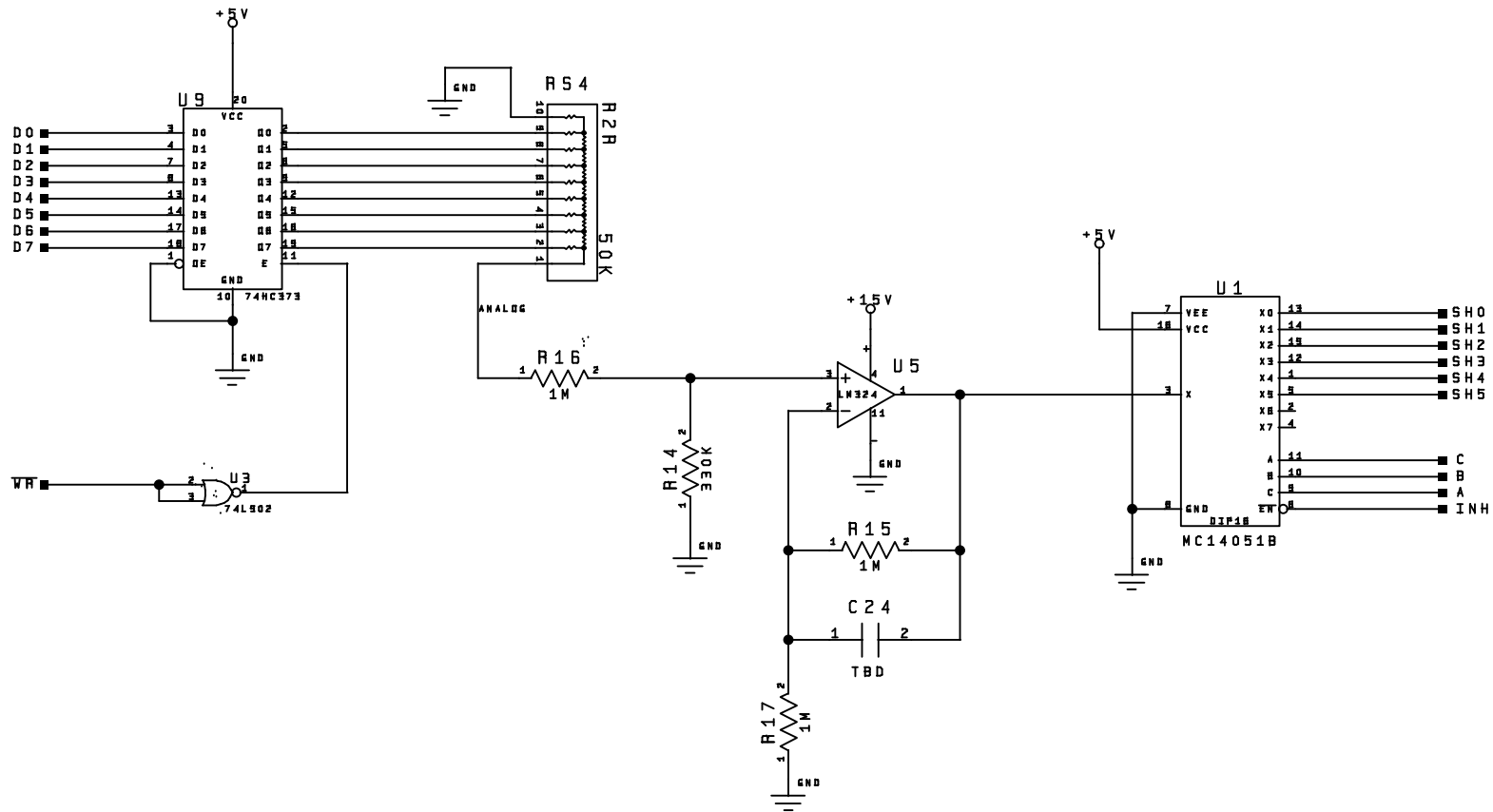
Trackspot, Lightwave Research, the Lightwave Research logo, High End Systems and the High End Systems logo are registered trademarks of High End Systems, Inc. Trademarks and trade names of others may be used in this document to refer to either such other entities or to their products. High End Systems Inc. disclaims any proprietary interest or connection to such marks or entities.

HIGH END SYSTEMS INC.			
Title:		TRACKSPOT SPECIAL ANALOG CONTROLLER	
Function:		42R12	
Drawing No.	REV.	Designed:	
SCH-99030042	1.2	ENGINEER	
Drawn:		Approved:	
MYERS			
8-18-1999-11-21	Size A2	Page 1	OF 8

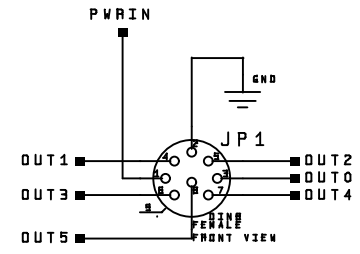
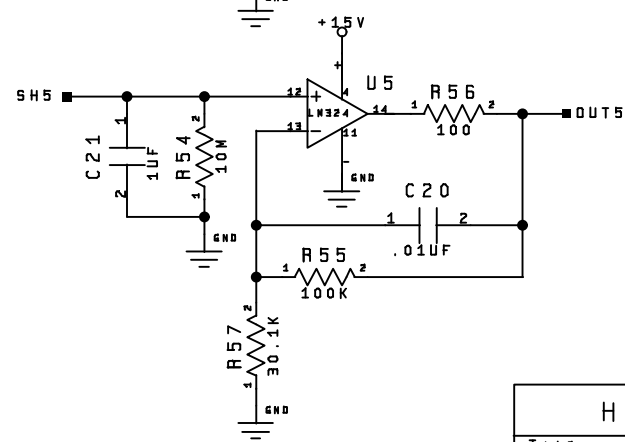
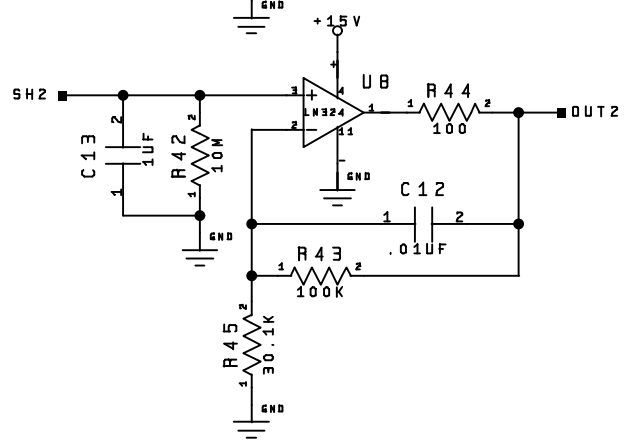
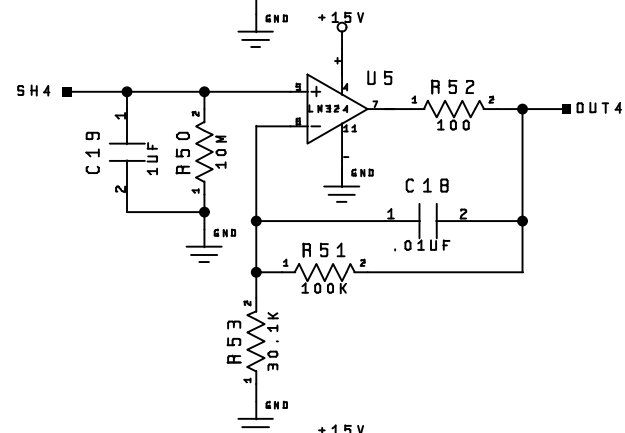
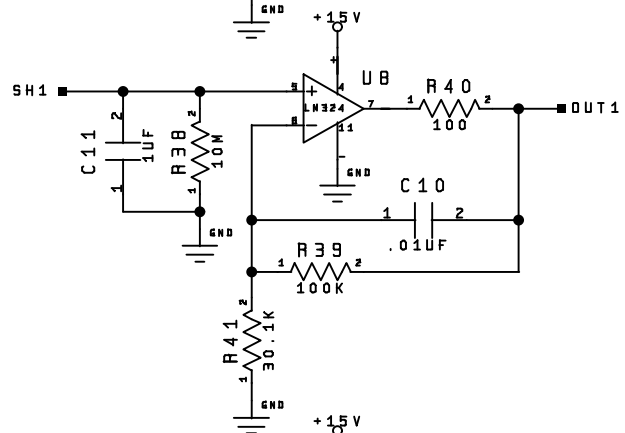
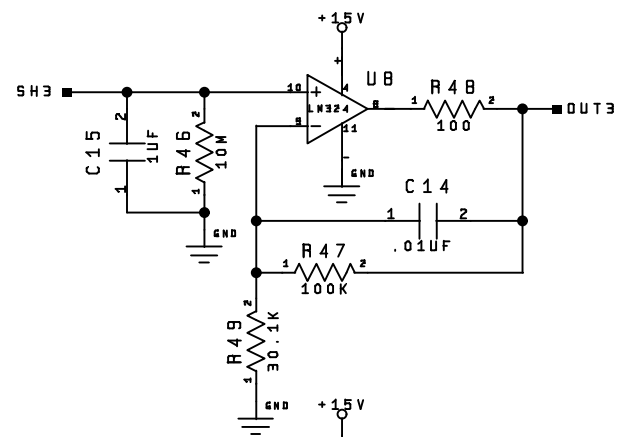
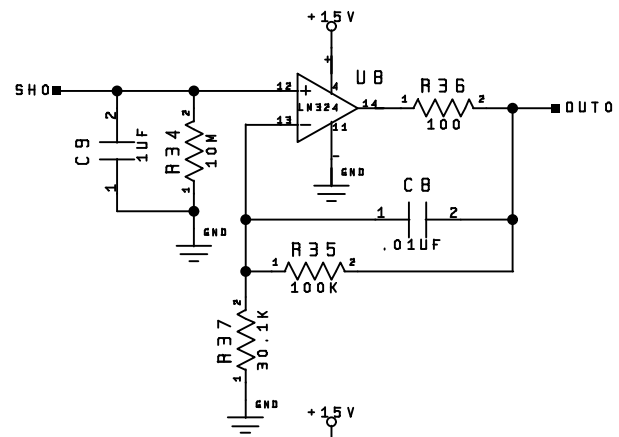




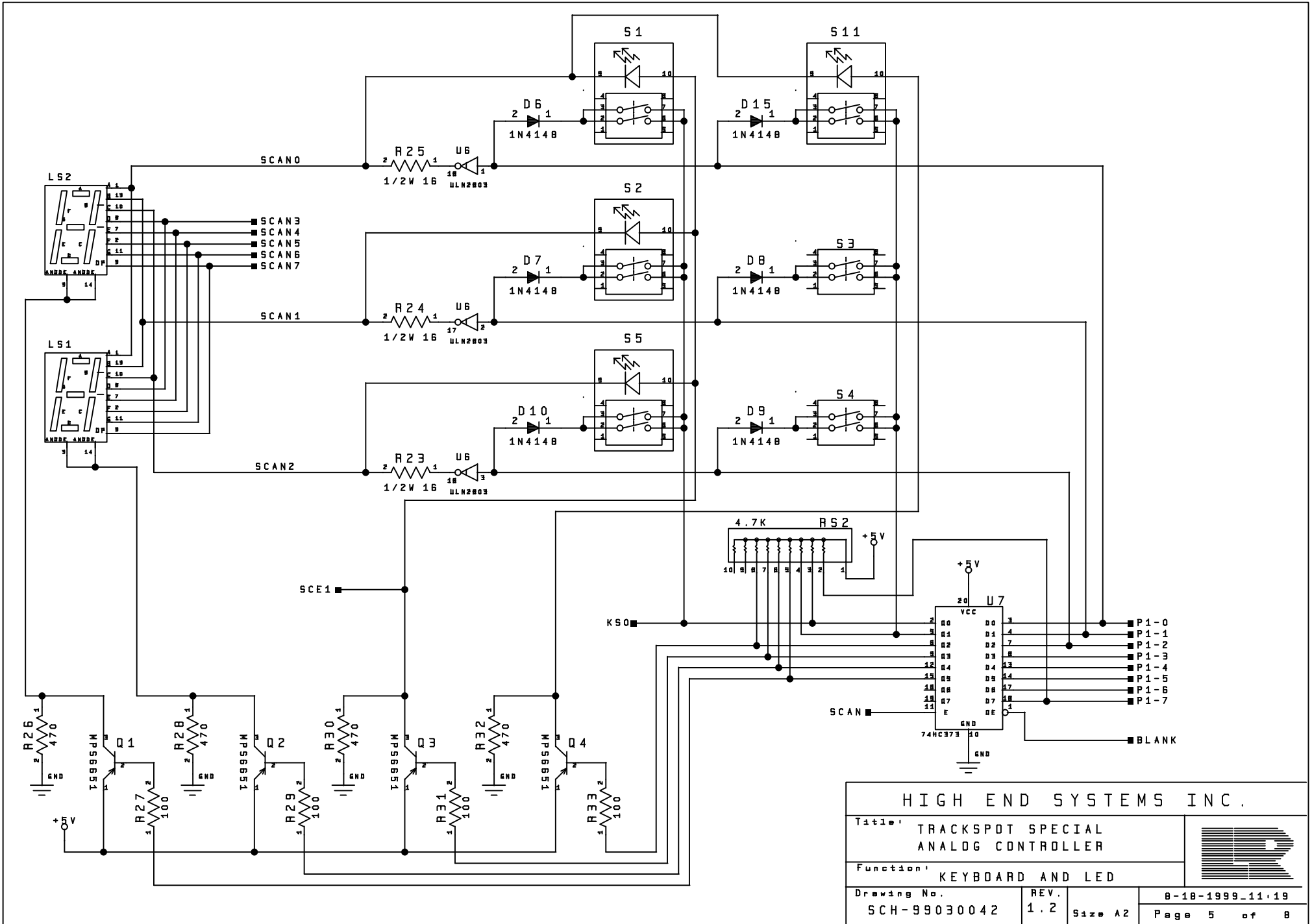
HIGH END SYSTEMS INC.			
Title: TRACKSPOT SPECIAL ANALG CONTROLLER			
Function: CPU			
Drawing No. SCH-99030042	REV. 1.2	Size A2	B-18-1999_11.19 Page 2 of 8



HIGH END SYSTEMS INC.			
Title:		TRACKSPOT SPECIAL ANALOG CONTROLLER	
Function:		D TO A	
Drawing No.	REV.	Size	8-18-1999-11-19
SCH-99030042	1.2	A2	Page 3 of 8



HIGH END SYSTEMS INC.			
Title: TRACKSPOT SPECIAL ANALOG CONTROLLER			
Function: SAMPLE AND HOLD			
Drawing No. SCH-99030042	REV. 1.2	Size A2	8-18-1999_11:19 Page 4 of 8



HIGH END SYSTEMS INC.

Title: TRACKSPOT SPECIAL ANALOG CONTROLLER



Function: KEYBOARD AND LED

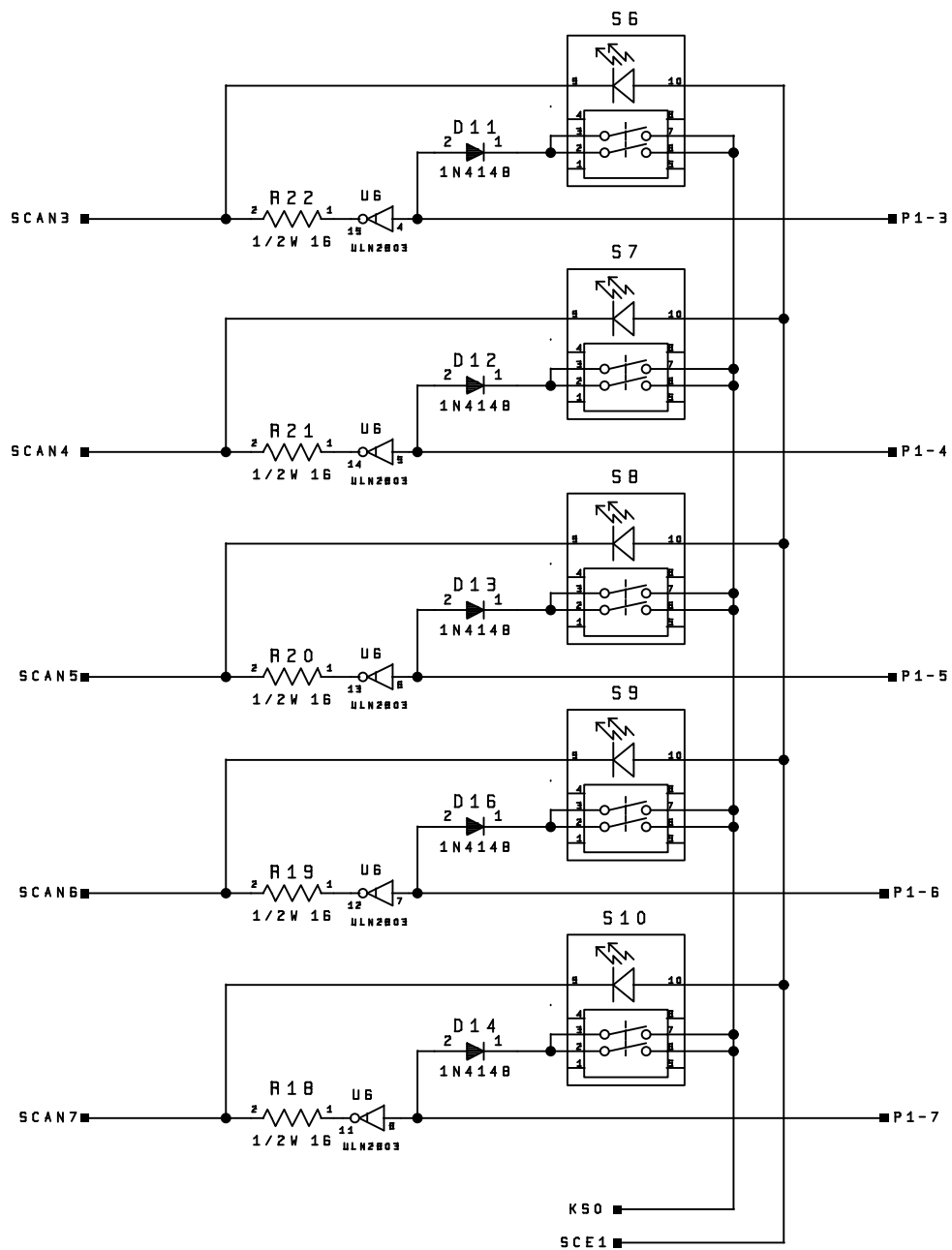
Drawing No. SCH-99030042

REV. 1.2

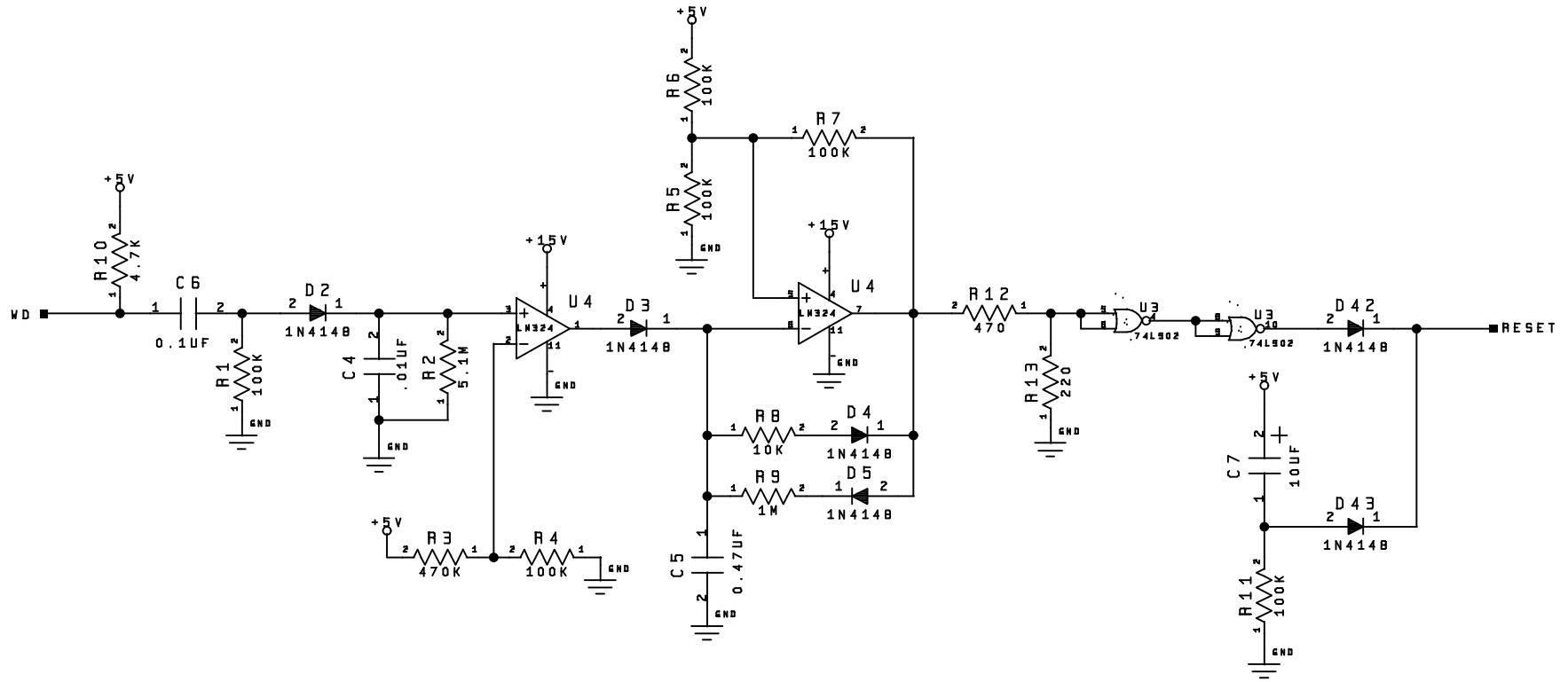
Size A2

8-18-1999-11.19

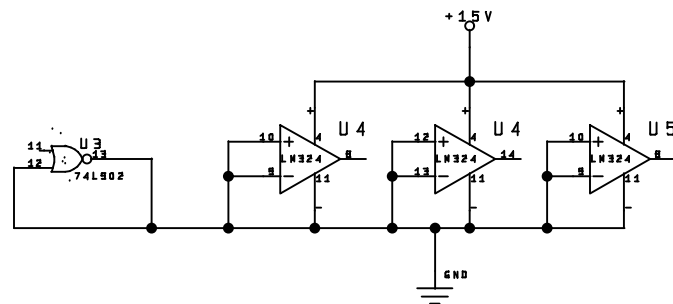
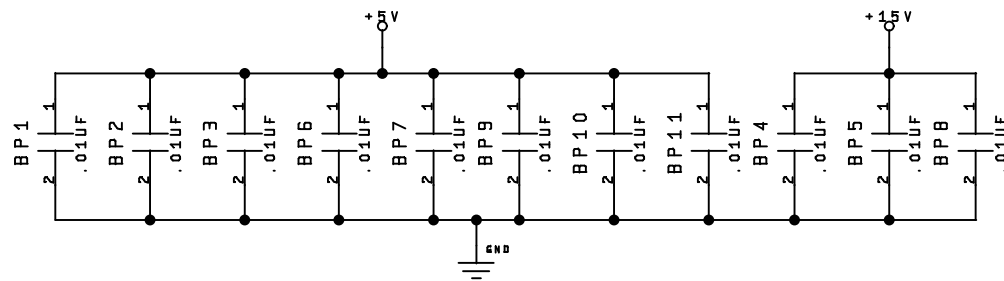
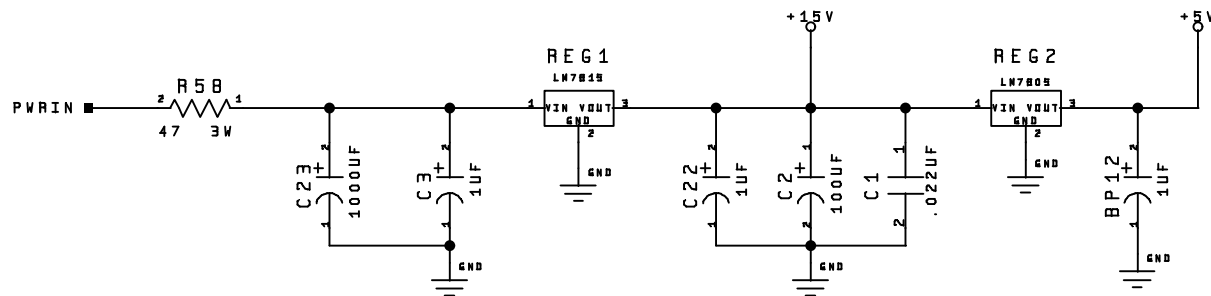
Page 5 of 8



HIGH END SYSTEMS INC.			
Title: TRACKSPOT SPECIAL ANALOG CONTROLLER			
Function: KEYBOARD			
Drawing No.	REV.	Size	Date
SCH-99030042	1.2	A2	8-18-1999-11-20
Page 6			of 8



HIGH END SYSTEMS INC.			
Title:		TRACKSPOT SPECIAL ANALOG CONTROLLER	
Function:		WATCHDOG	
Drawing No.		REV.	B-18-1999-11-20
SCH-99030042		1.2	Page 7 of 8
		Size A2	



HIGH END SYSTEMS INC.			
Title: TRACKSPOT SPECIAL ANALOG CONTROLLER			
Function: POWER SUPPLY			
Drawing No. SCH-99030042	REV. 1.2	Size A2	B-18-1999-11.20 Page 8 of 8