

REVISION HISTORY

SCH REV	PCB REV	ECO NO.	DATE	COMMENT
1.0	1.0		7/17/97	PRODUCTION RELEASE
1.1	1.1		9/24/97	ECN
1.2	1.2		12-5-97	F1 AND F3 CHANGE
1.3	1.3	7559	1-8-98	CHANGED RJ41, BC20, BC21, C27, C41, C91
1.3.1	1.3		1-22-98	CHANGED R132 FROM 20K TO 4.7K
1.3.2	1.3	7698	3-3-98	SEE ECN FOR CHANGES
1.3.3	1.3	7847	5-7-98	CHANGED R28, 29, 30, 104, 143, 144 FROM 200R TO 20R
1.3.4	1.3	8279	1-13-99	ADDED TRANSFORM TO C14 AND OTHER ASSY DVG CHANGES
1.4	1.4		4-8-99	SEE ECN 8321 & 8456 FOR CHANGES

Copyright (c) 1994-1999 High End Systems, Inc. All rights reserved worldwide.

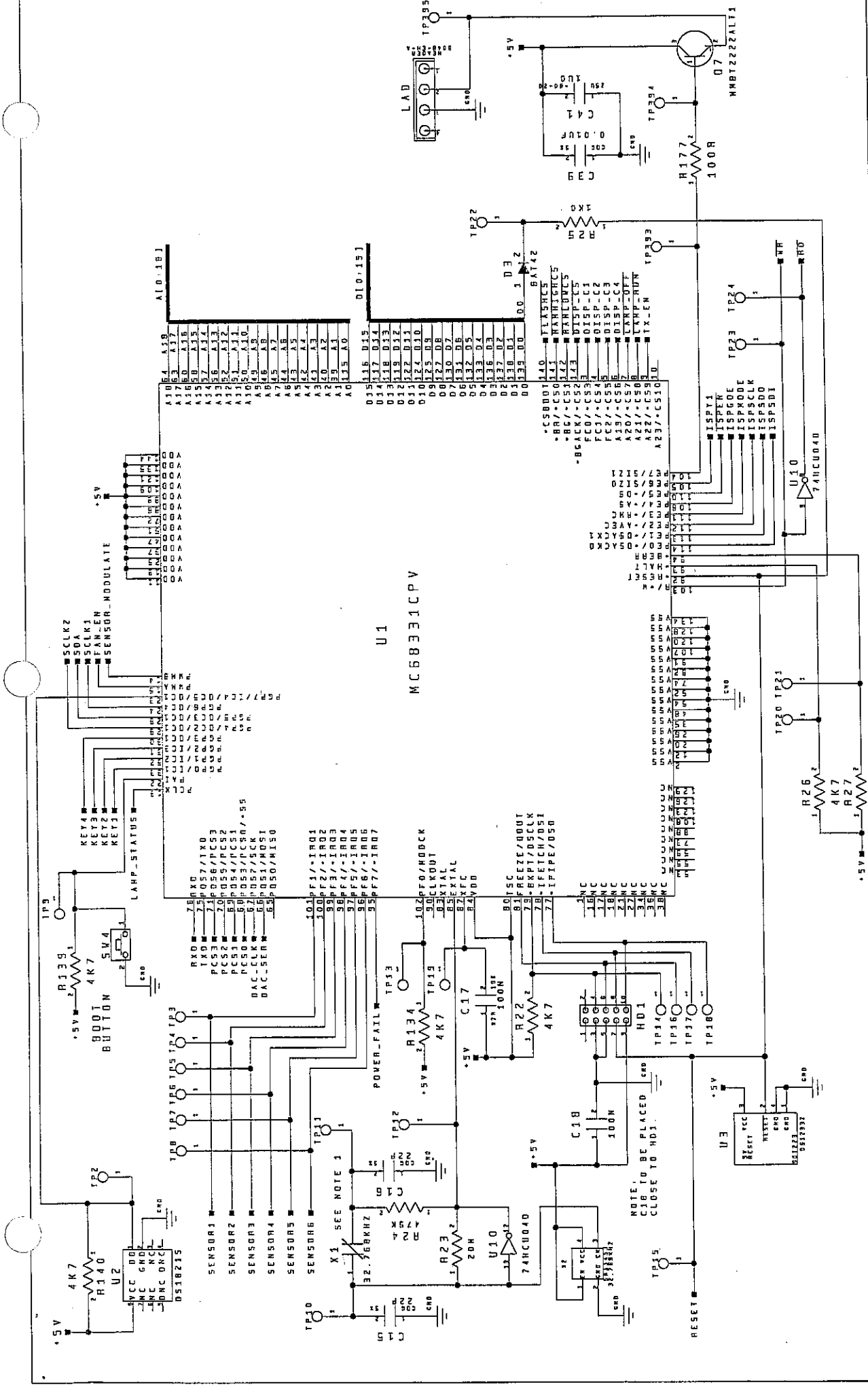
Technobeam, Lightwave Research, the Lightwave Research logo, High End Systems and the High End Systems logo are registered trademarks of High End Systems, Inc. Trademarks and trade names of others may be used in this document to refer to either such other entities or to their products. High End Systems Inc. disclaims any proprietary interest or connection to such marks or entities.

CHECK PRINT

[Handwritten Signature]
 DATE: 4/14/99
 BY: KSH
 14 Apr 99

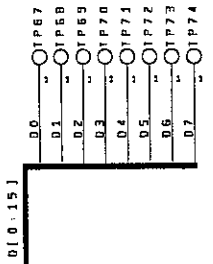
- NOTES:
- UNLESS OTHERWISE SPECIFIED:
 - ALL RESISTOR VALUES ARE IN OHMS
 - ALL RESISTORS ARE 1/8 WATT 5% OR BETTER
 - CAPACITOR VALUES ARE IN PICO FARADS
 - CAPACITOR VALUES ARE IN PICO FARADS
 - ALL NON POLARIZED CAPACITORS ARE 50V OR BETTER
 - VALUES BELOW 470PF ARE NPO/C0G TYPE 5%
 - VALUES 470PF TO 1000PF ARE X7R 10%
 - VALUES ABOVE 1000PF ARE Z5U +/- 20 %
 - ALL POLARIZED CAPACITORS ARE 20% DR BETTER
 - ALL DIODES ARE 1N4148.

HIGH END SYSTEMS INC.	
Title: TECHNIBEAM	
Function: COVER SHEET	7914
Drawing No. SCH-99030079	REV 1.4
Drawn: DRAMER	Approved: TOM GRIMES
Date: 4-8-1999-16:52	Size: A2
Page: 1	of 11

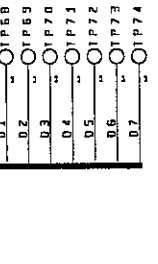


HIGH END SYSTEMS INC.
 Title: TECHNOBEAM CPU
 Function: THE BRAINS OF THE LIGHT
 Drawing No. REV. 1.4 Size B Page 2 of 11
 Date 4-8-1999-16:20

NOTES:
 1. STUFF X2 OR X1, R23, R24, C15, C16. DO NOT STUFF BOTH.



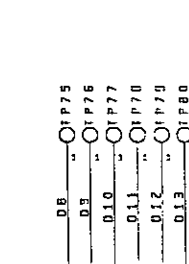
SEE NOTE 2
U4



SEE NOTE 1
U5A



SEE NOTE 1
U6A



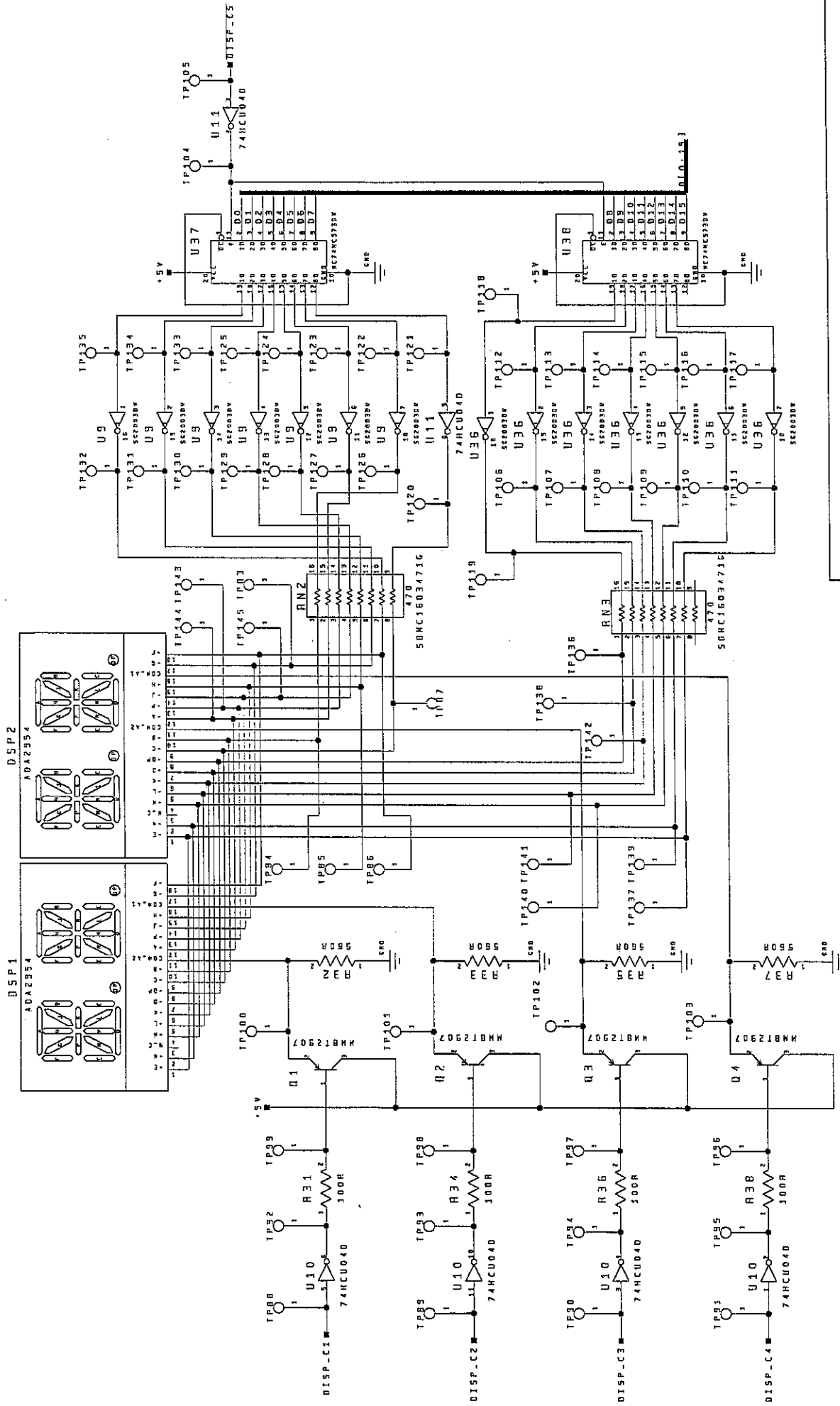
D10-18

NOTES:

- U5 & U6 ARE 128Kx8 32 PIN DEVICES.
U5 & U6 ARE 32Kx8 28 PIN DEVICES.
EITHER DEVICE MAY BE USED.
SYMBOL FOR 32 PIN DEVICE SHOWN.
28 PIN DEVICE DOES NOT USE PINS 1, 2, 31, 32.
- U4 MAY BE EITHER A 512Kx8 OR 128Kx8.
128Kx8 DEVICE DOES NOT USE PINS 3 AND 30.

HIGH END SYSTEMS INC.
Title: TECHNOBEAM
Function: MEMORY
REMEMBER THINGS

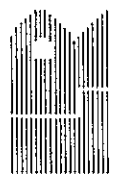
Drawing No. SCH-99030079 REV. 1.4 Size B
Date 1-20-1999-13-99 Page 3 of 11

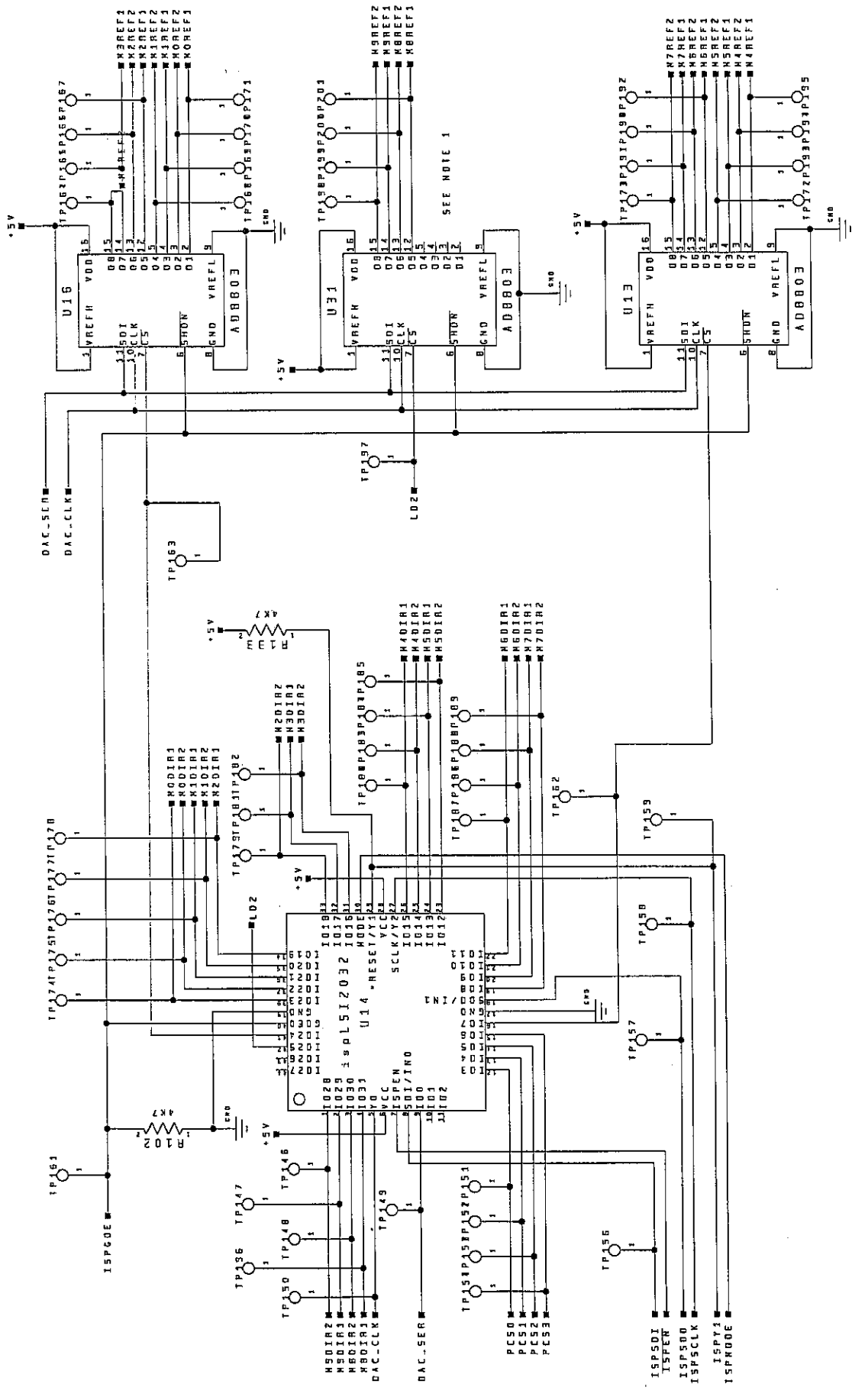


HIGH END SYSTEMS INC.

Title: **TECHNOBEAM USER INTERFACE**

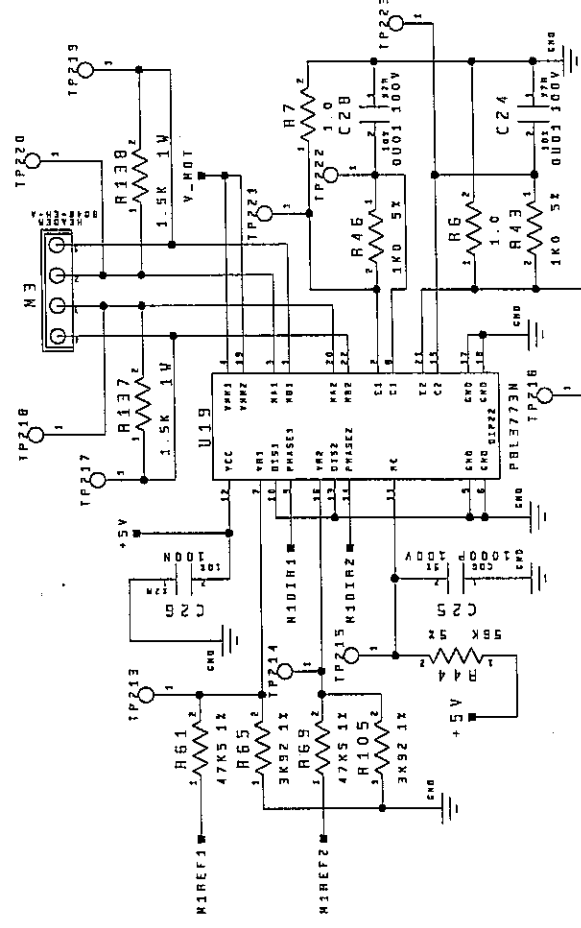
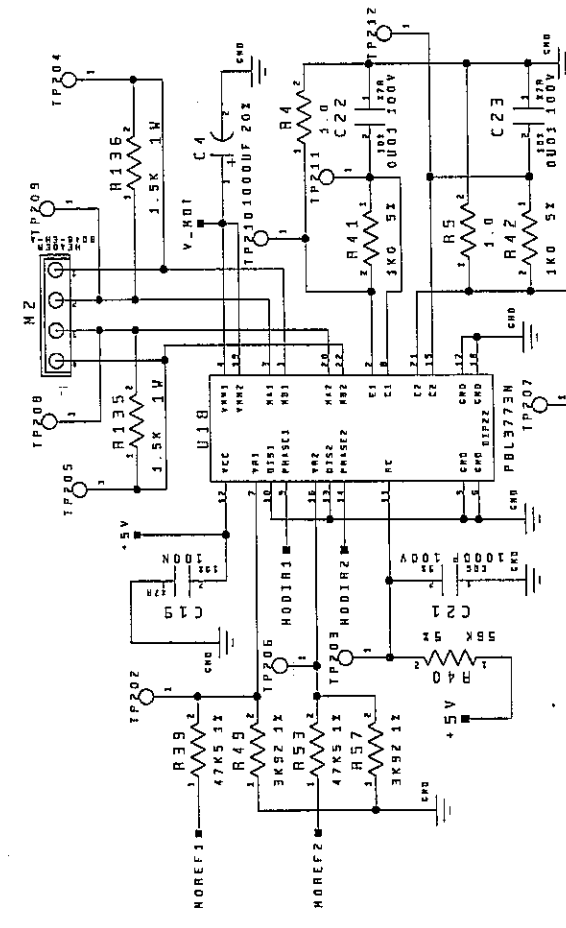
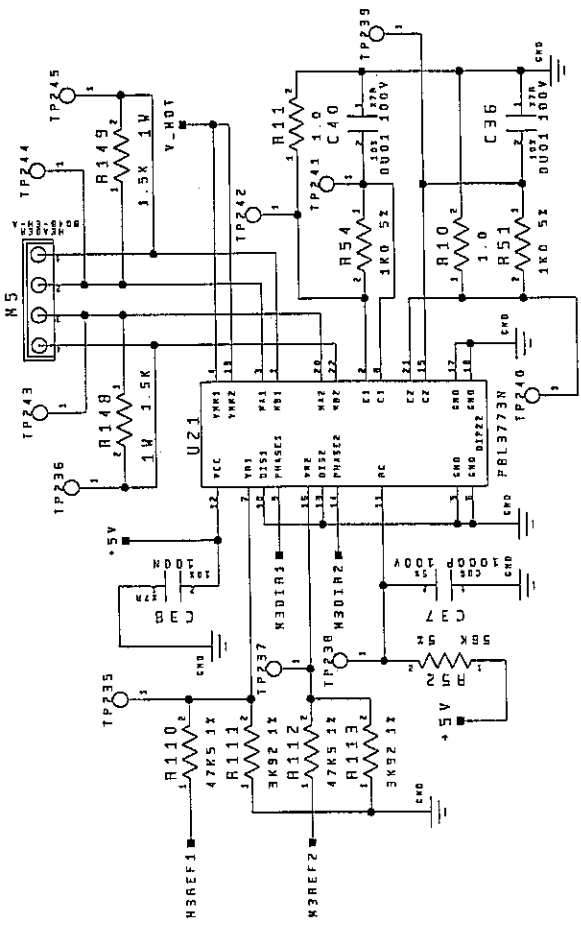
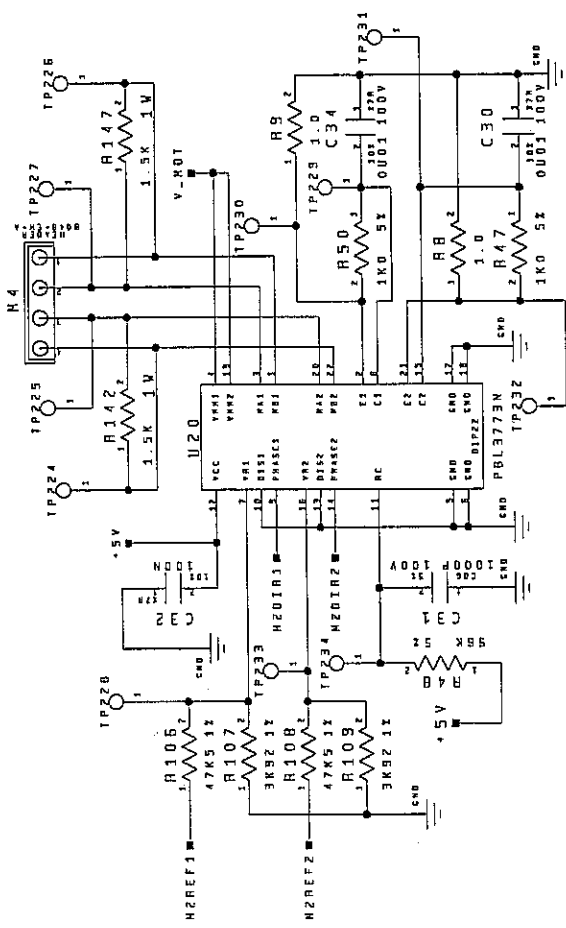
Function: **DISPLAY THINGS**

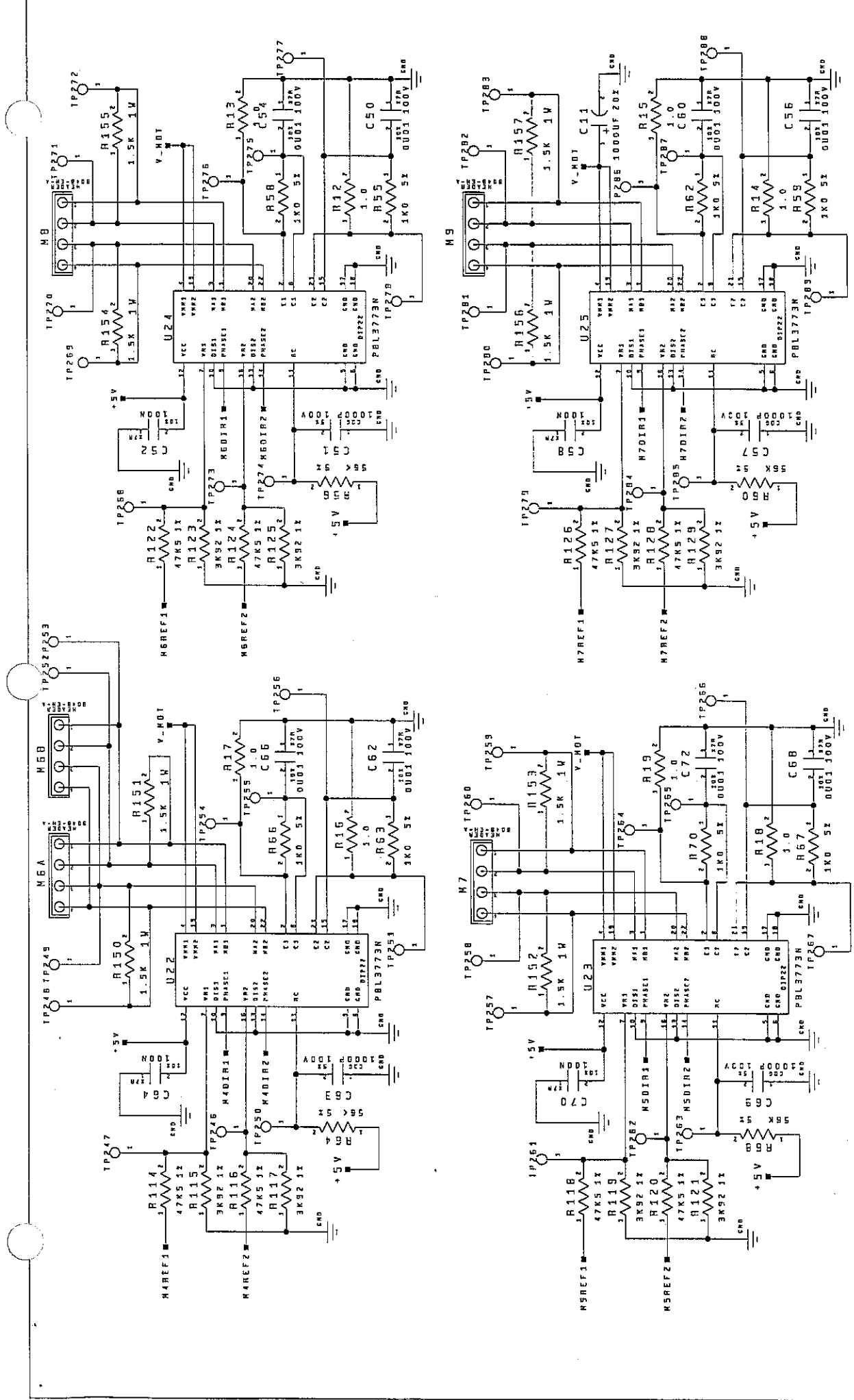




SEE NOTE 1

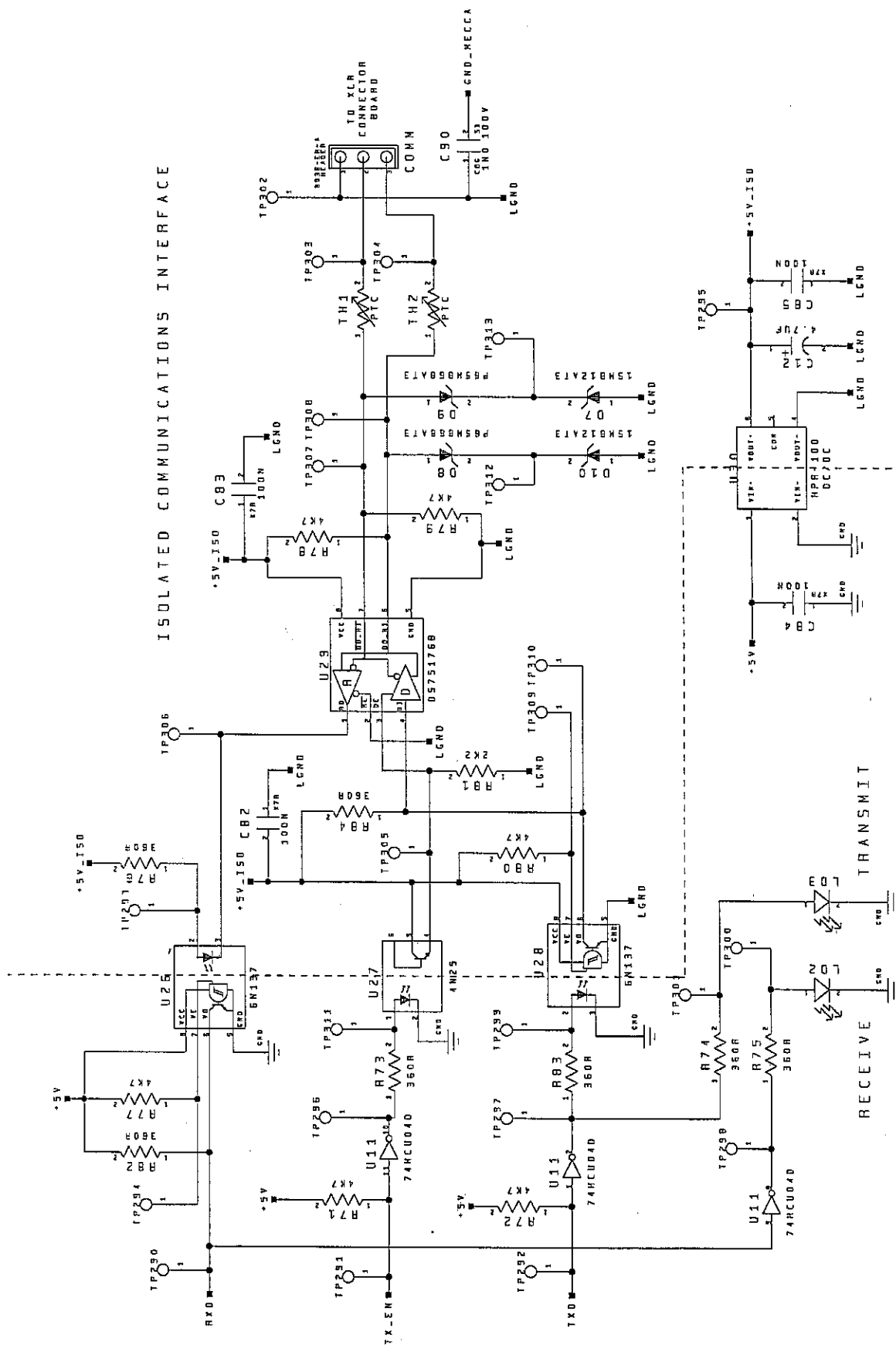
HIGH END SYSTEMS INC.	
TECHNOBEAM MOTOR CONTROL	
Title	
FUNCTION: VOLTAGE REFERENCE AND DIRECTION CONTROL	
REV.	REV.
1.4	1.4
Size B	Size B
Page 5	Page 5
of 11	of 11
Date 1-20-1999-13:59	





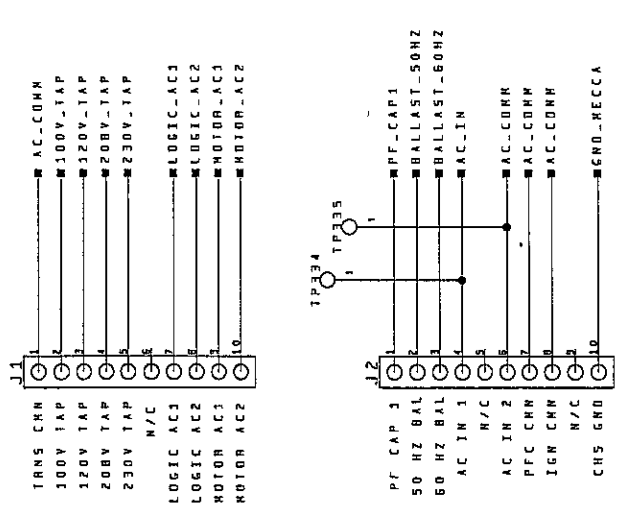
HIGH END SYSTEMS INC.
 TechnoBeam
 MOTOR DRIVERS
 Function: SHUTTER, FOCUS, TILT & PAN
 Drawing No. SCH-99030079 REV. 1.4 Size B Page 7 of 11
 Date J-28-3999-14.00

ISOLATED COMMUNICATIONS INTERFACE

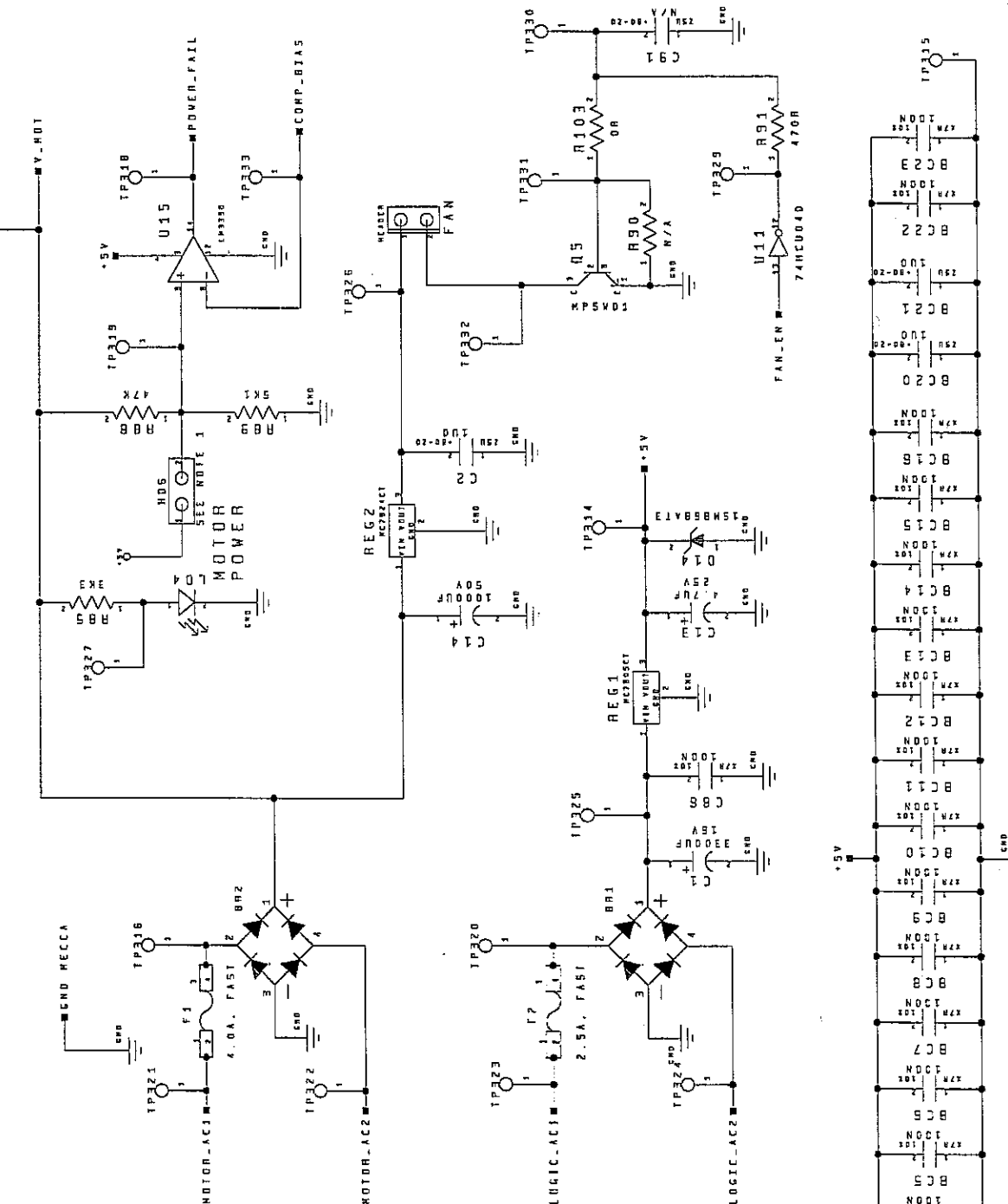


HIGH END SYSTEMS INC.
TECHNOBEAM
 ISOLATED POWER AND COMMUNICATION
 Function: TALK TO THE WORLD
 Drawing No. SCH-99030079 REV. 1.4 Size: 8 of 11
 Date 4-8-1999-16.53

HIGH VOLTAGE



LOW VOLTAGE



COMPONENTS LIST:

TP337	TP338	TP339	TP340	TP341	TP342	TP343	TP344	TP345	TP346	TP347	TP348	TP349	TP350	TP351	TP352	TP353	TP354	TP355	TP356	TP357	TP358	TP359	TP360	TP361	TP362	TP363	TP364	TP365	TP366	TP367	TP368	TP369	TP370	TP371	TP372	TP373	TP374	TP375	TP376	TP377	TP378	TP379	TP380	TP381	TP382	TP383	TP384	TP385	TP386	TP387	TP388	TP389	TP390	TP391	TP392	TP393	TP394	TP395	TP396	TP397	TP398	TP399	TP400
-------	-------	-------	-------	-------	-------	-------	-------	-------	-------	-------	-------	-------	-------	-------	-------	-------	-------	-------	-------	-------	-------	-------	-------	-------	-------	-------	-------	-------	-------	-------	-------	-------	-------	-------	-------	-------	-------	-------	-------	-------	-------	-------	-------	-------	-------	-------	-------	-------	-------	-------	-------	-------	-------	-------	-------	-------	-------	-------	-------	-------	-------	-------	-------

Notes:

1. HD6 TO BE USED FOR QC AND TROUBLESHOOTING PURPOSES ONLY. IN NORMAL OPERATION NO JUMPER T5 TO BE INSTALLED AT HD6.

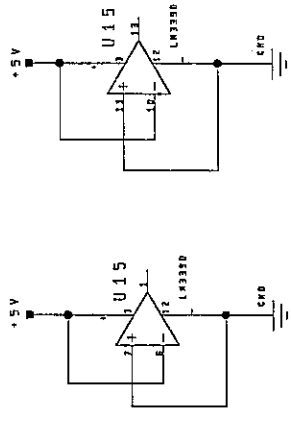
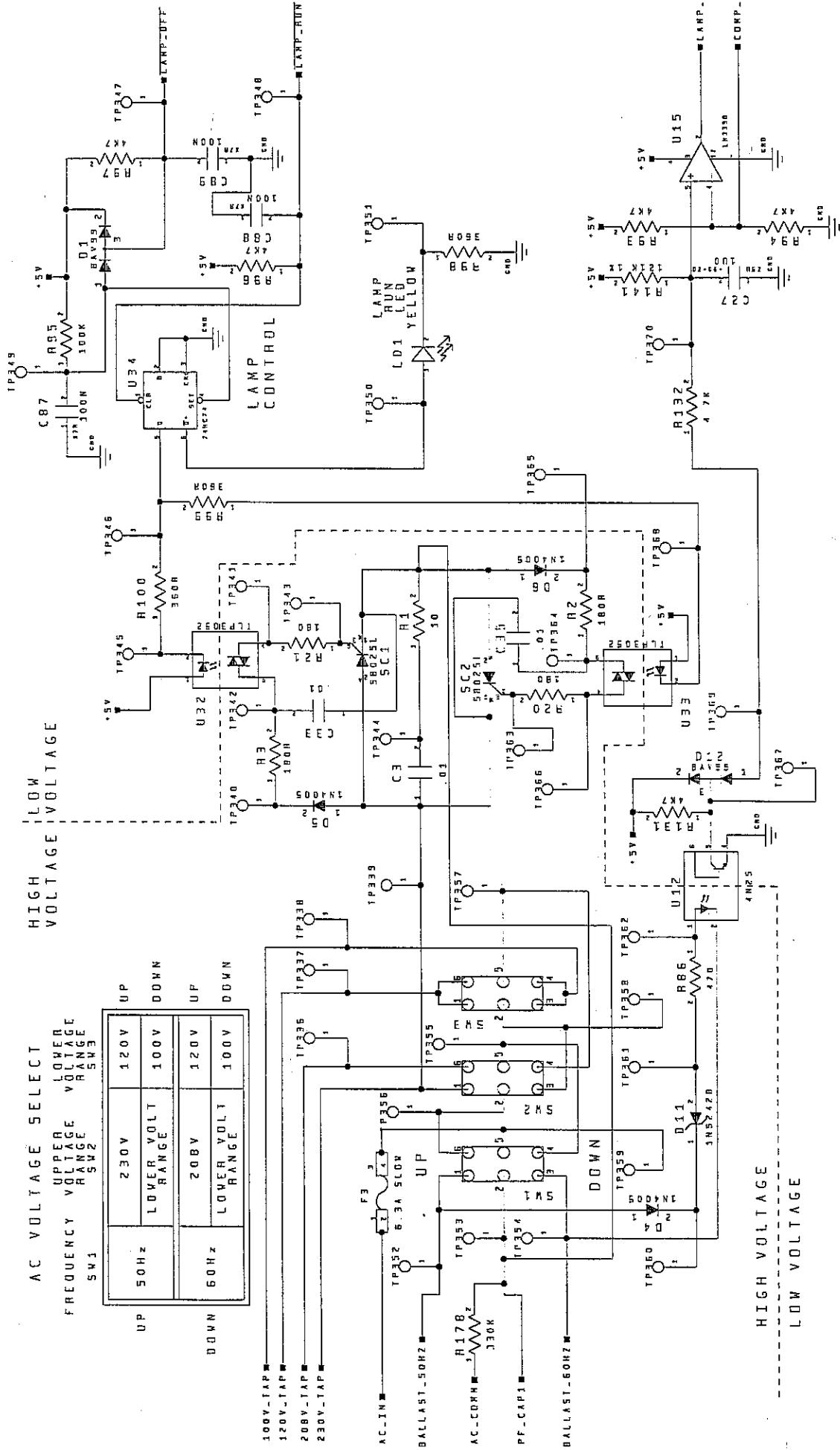
Company Information:

HIGH END SYSTEMS INC.
 Title: TECHNOBEAM
 MOTOR AND LOGIC POWER SUPPLY
 Function: MAKE THINGS GO
 Drawing No. SCH-99030079
 REV. 1.4
 Date 4-8-1999-17:20
 Page 9 of 11

AC VOLTAGE SELECT

FREQUENCY	UPPER VOLTAGE RANGE	LOWER VOLTAGE RANGE
50 Hz	230V	120V
60 Hz	208V	100V

UP DOWN UP DOWN



HIGH END SYSTEMS INC.

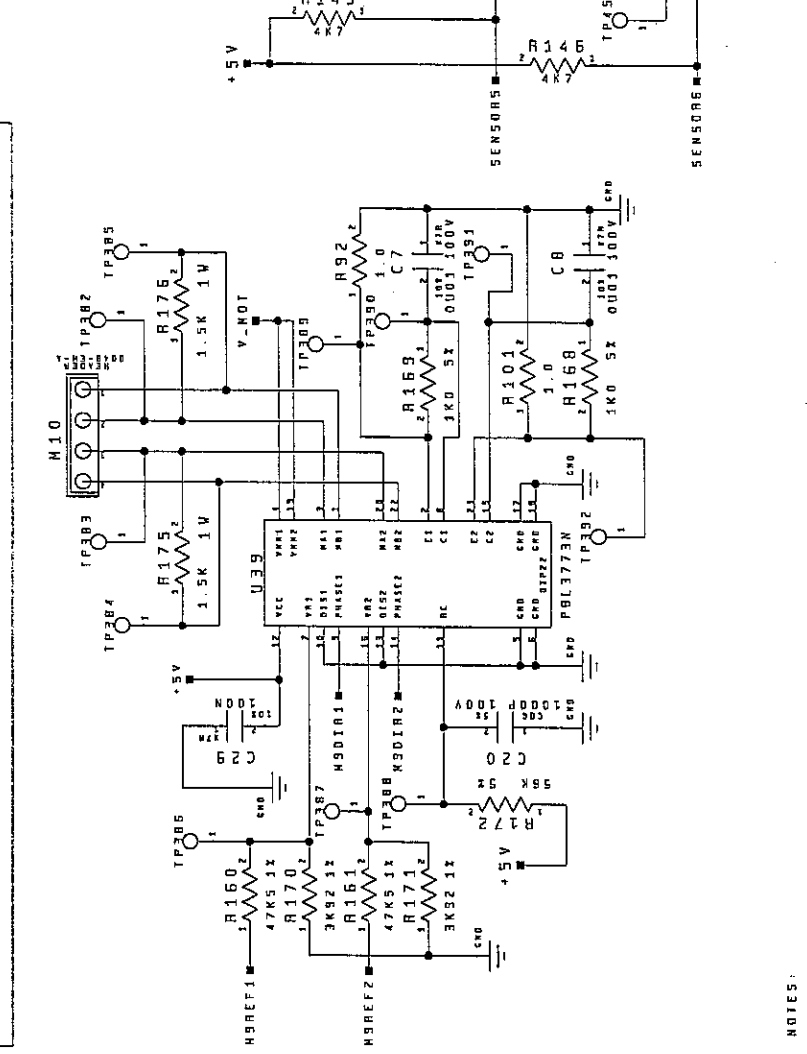
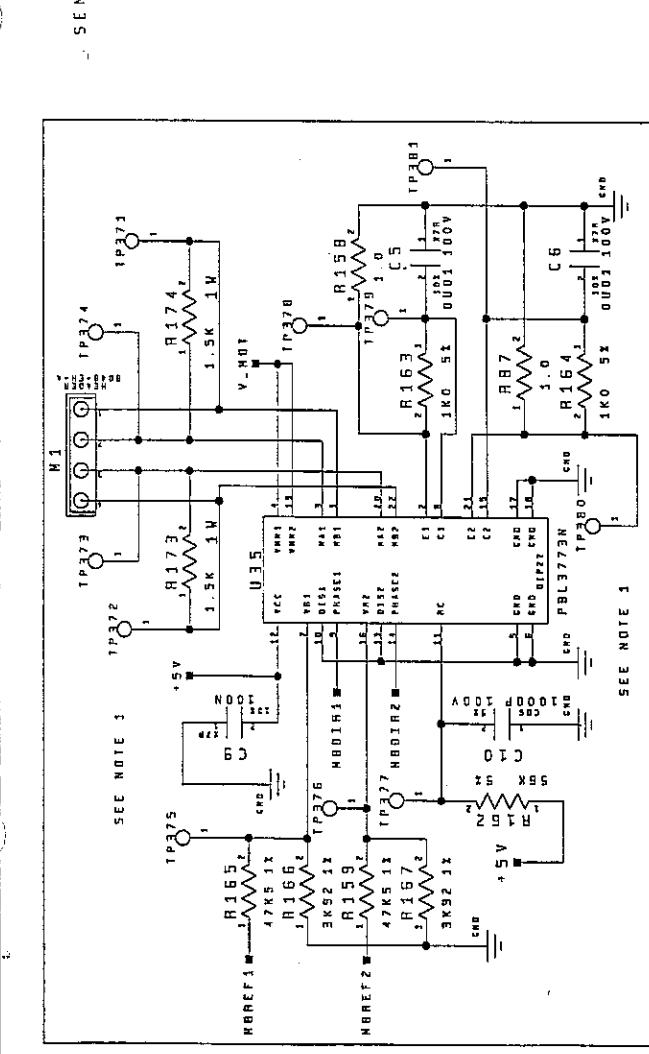
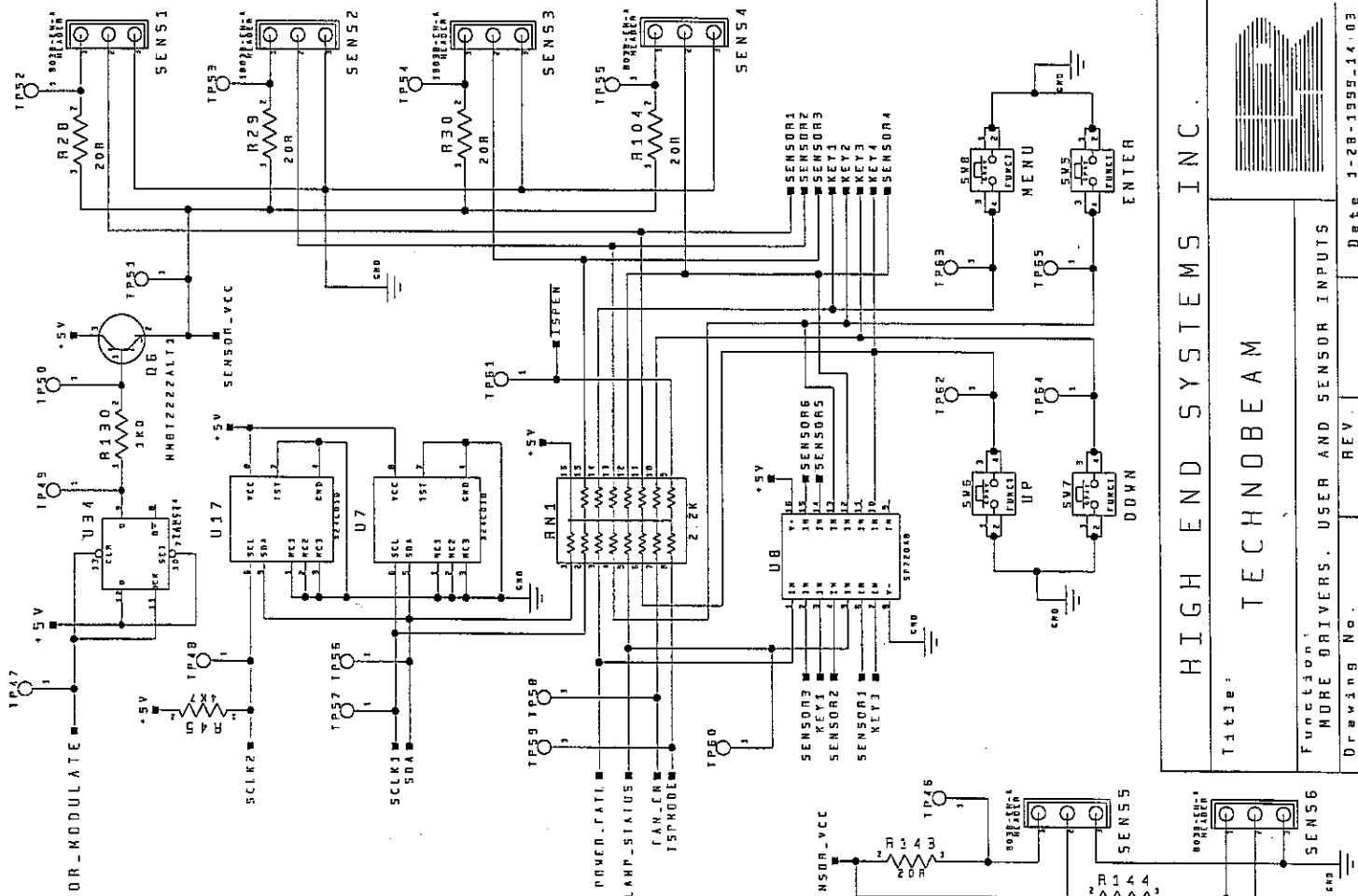
Title: TECHNOBEAM LAMP CONTROL

Function: LAMP ON/OFF AND RUN SENSING

Drawing No. REV. 1.4 Size B Date 2-1-1999-11:59

5CH-99030079 Page 10 of 11

NOTES:
1. 00 NOT STUFF RV1



SEE NOTE 1

SEE NOTE 1

Function
MORE DRIVERS, USER AND SENSOR INPUTS

Drawing No. REV. 1.4

DATE 3-28-1999-14.03

Page 11 of 11

Title: HIGH END SYSTEMS INC.

TECHNOBEAM

NOTES:
1. DO NOT STUFF COMPONENTS IN THIS AREA.