

MECHANICAL SPECIFICATIONS

FIXTURE

BOXED FOR SHIPPING

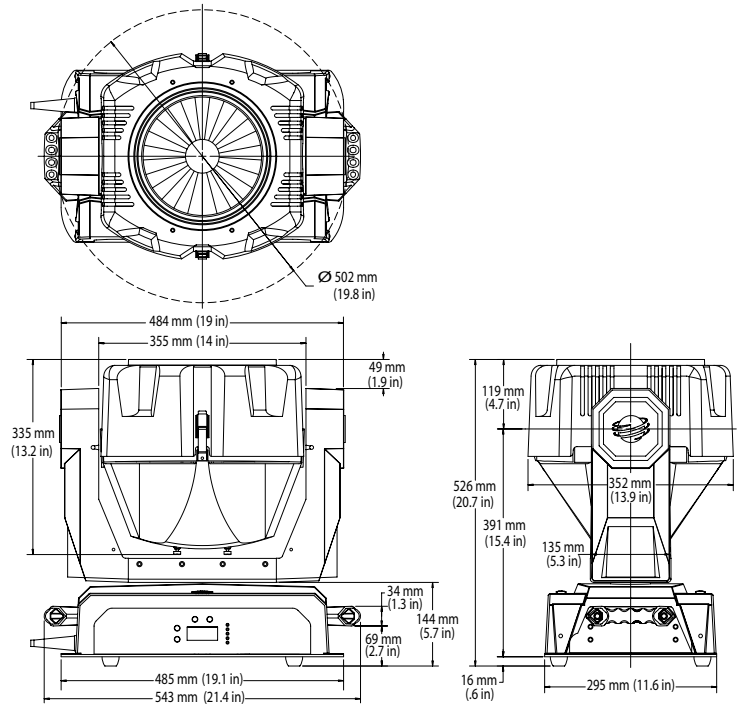
Dimensions:

mm: 352 x 544 x 526 470 x 660 x 635
 in: 13.9 x 21.4 x 20.7 18.5 x 26 x 25

Weight: 24.9 kg (55 lb) Weight: 29 kg (64lb)

Mounting Information: The Studio Command fixture can be truss mounted using suitable clamps with locking washers through the center holes on the fixture's base. Cheeseborough truss clamps and ½ inch nub/bold sets may be purchased separately. It can also stand upright on a stable surface.

Colors Available: Black



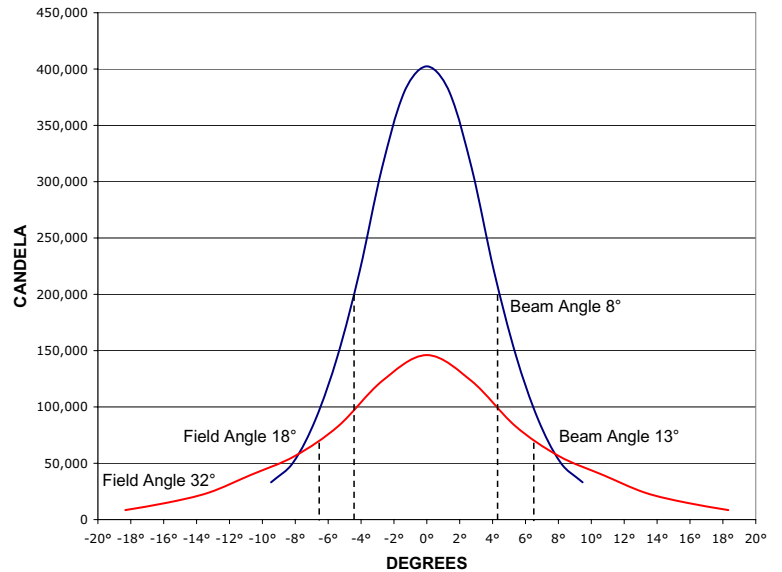
ELECTRICAL SPECIFICATIONS/ LIGHT SOURCE

Power Consumption: 100V 50HZ @ 10.0 AMP
 230V 50 HZ @ 4.3 AMP
 100V 60HZ @ 10.0 AMP
 230V 60HZ @ 4.3 AMP

Fixture Rated Power: 1000 WATTS MAX

	Primary Lamp	Alternate Lamp
Lamp:	PHILIPS MSR700	PHILIPS MSR700/2
Luminous Flux	56000 LUMENS	55000 LUMENS
Arc Length	8 mm	8 mm
Color Temperature	5600K	7200K
Lamp Life 50%	1000 hrs	1000 hrs
CRI	95	80
CIE	X=.330; Y=.330	X=.302; Y=.320

Studio Command Luminous Output



OPERATION

Pan: 540°

Tilt: 240°

Field Angle: 18°–32°

Beam Angle: 8°–13°

Fixture Output: 11,000 Lumens

Environmental Specifications:

Maximum Ambient Temperature 50 C
 Minimum Distance to Flammable Objects 3.28 ft. (1 m)
 Maximum Exterior Surface Temperature 320 F (160 C)
 Minimum Distance to lighted object 6.56 ft (2 m)

Compliances: ETL, CE

DMX Channels

<u>Channel Offset</u>	<u>Function</u>
1	Pan Course
2	Pan Fine
3	Tilt Course
4	Tilt Fine
5	Color Function
6	Cyan
7	Magenta
8	Yellow
9	Zoom
10	Strobe
11	Dimmer
12	MSpeed
13	Macro
14	Control

Fixture/Universe: 32

Internal Preset Scene Memory: 32

PART NUMBERS

Fixture

78010001: Studio Command fixture, Black

Accessories

55030069: MSR 700 Replacement Lamp
55030048: MSR 700/2 Replacement Lamp
78040001: Gel Frame Holder