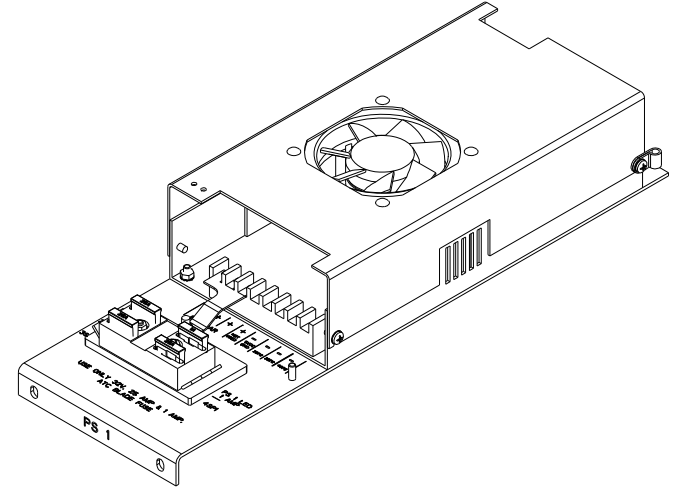
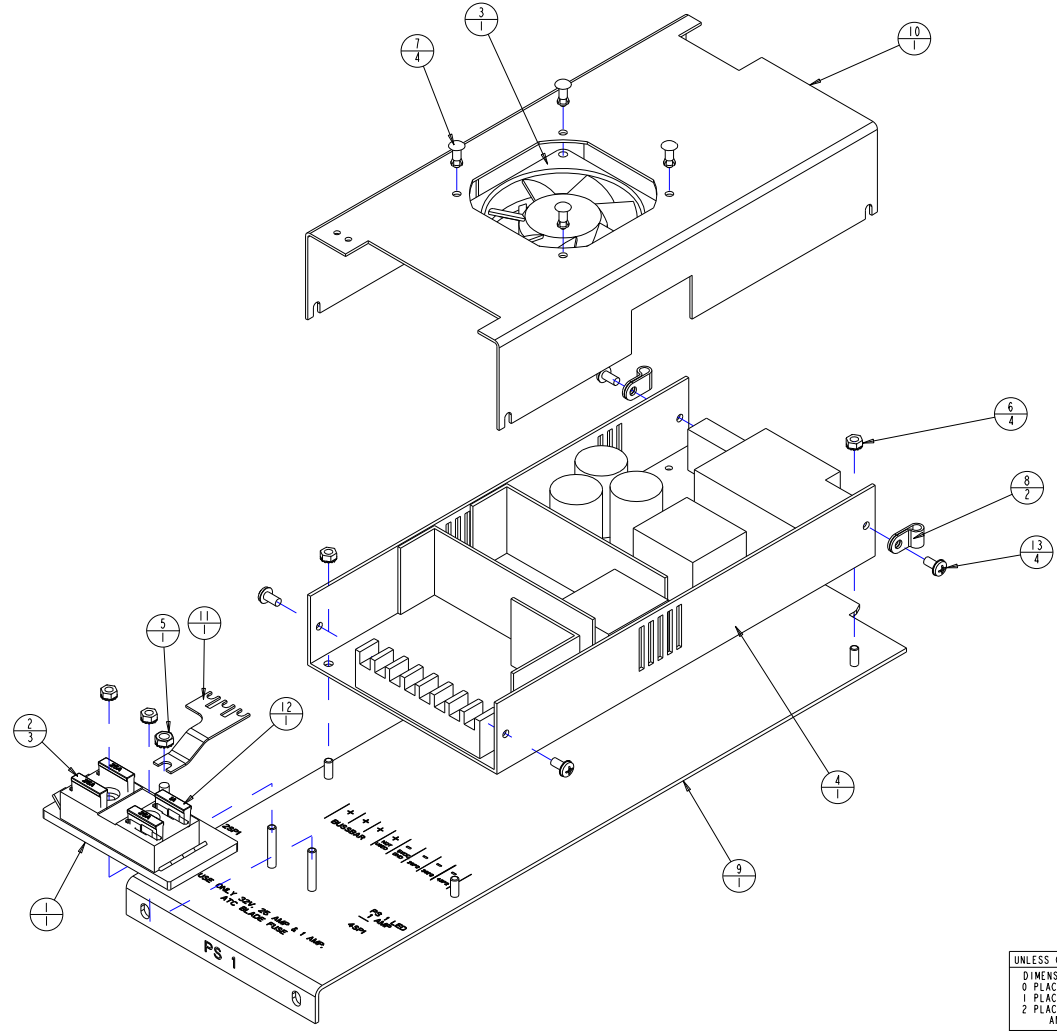


TZA005

REV.	DESCRIPTION	DATE	ENG	ECO #	APPR
1	CREATE DRAWING	3DEC07	M BELL		
2	UPDATE DRAWING VIEWS AND BOL BALLOONS	14DEC07	PP		MB
3	ADD FUSE LABEL, ITEM 12	31JAN08	PP		MB
4	ADD ITEM 8, REMOVE M4 CAPS, REPLACE W/ M4 PAN, REV ITEM 9	25FEB08	PP		MB
5	REMOVE IEA 25A FUSE, ADD IEA 1A FUSE, UPDATE REV ON ITEM 9	14MAR08	PP		MB
6	REVISION UPDATE FOR TZ112	29APR08	PP		MB
7	REVISION UPDATE FOR TZ112	09MAY08	PP		MB



ITEM NO.	QTY.	FILENAME	PART NO.	REV	DESCRIPTION
13	4	SCREWM4PP08SBZ	91020408	.	SCREW,M4 PHIL PAN 08 SEMS BZ
12	1	FUSE_1A_AUTO	90403032EF	.	FUSE,1A 32V BLADE AUTOMOTIVE
11	1	TZ306	99260551	3	TIE-BAR, POWER SUPPLY
10	1	TZ113	99080347	-	COVER, POWER SUPPLY
9	1	TZ112	99080346	C	PLATE, TRAY, POWER SUPPLY, PSI, MEA4
8	2	CLAMP_188_NY	90410023	.	CLAMP, 3/16 NYLON CABLE CLAMP BLACK
7	4	RIVET156X460PUSH_NY	90701336	.	RIVET, 5/32 PUSH .217-.256 NY BL
6	4	NUTM4KEP	91201204	.	NUT,M4 KEPS
5	1	NUT10-32KEP	90703003	-	NUT, 10-32 KEPS NUT SZ
4	1	MEANWELL_USP500	99070021EF	.	POWER SUPPLY,500W 5V MEANWELL USP500-5
3	1	KT706	80270032	-	FAN, ASSY 24V DC 80MM X 20MM
2	3	FUSE_25A_AUTO	90403031EF	.	FUSE,25A 32V BLADE AUTOMOTIVE
1	1	BUSSMANN_15600_4	90412028EF	.	PANEL,FUSE X 4 ATC AUTOMOTIVE TYPE

BILL OF MATERIALS

UNLESS OTHERWISE SPECIFIED: **RELEASE DATE:** CE: **High End** 2105 GRACY FARMS LANE
 DIMENSIONAL TOLERANCES: **ENG: MIKE BELL** OA: AUSTIN, TEXAS 78758
 0 PLACE DECIMAL = ±0.38
 1 PLACE DECIMAL = ±0.25
 2 PLACE DECIMALS = ±0.13
 ANGLES = ±0.5°

FOR PAINTED PARTS REFER TO **ENG. SPEC. MANUAL WI-0592** MATERIAL: **FINISH:**
 ALL COMPONENTS, MATERIALS AND **TBD**

MIN. DRAFT INTERPRET DIMENSIONS PER **SI** PART NO. DRAWING NO. REV.
 MIN. RADII ASME Y14.5M-1994 **METRIC** **A1** **INTERNAL TZA005** 7
 FLATNESS THIRD ANGLE PROJECTION DIMENSIONS ARE IN MILLIMETERS
 THICKNESS DO NOT SCALE SCALE: 0.500 SHEET: 1 OF 1
 VOLUME

PROPRIETARY NOTICE:
 THIS DOCUMENT CONTAINS CONFIDENTIAL AND PROPRIETARY INFORMATION OF HIGH END SYSTEMS INC., (ALSO DBA LIGHTWAVE RESEARCH) AND IS GIVEN TO THE RECEIVER IN CONFIDENCE. THE RECEIVER ACCEPTS AND AGREES THAT, EXCEPT AS AUTHORIZED BY HIGH END SYSTEMS, THE RECEIVER WILL NOT PERMIT THE USE OF THE DOCUMENT OR ANY COPY THEREOF OR THE INFORMATION THEREIN, WILL NOT COPY OR PERMIT COPYING THE DOCUMENT OR THE INFORMATION THEREIN, AND WILL UPON COMPLETION OF THE NEED TO RETAIN THE DOCUMENT, OR UPON DEMAND, RETURN THE DOCUMENT WITHOUT RETAINING ANY OF THE INFORMATION CONTAINED THEREIN IN ANY FORM WHATSOEVER.