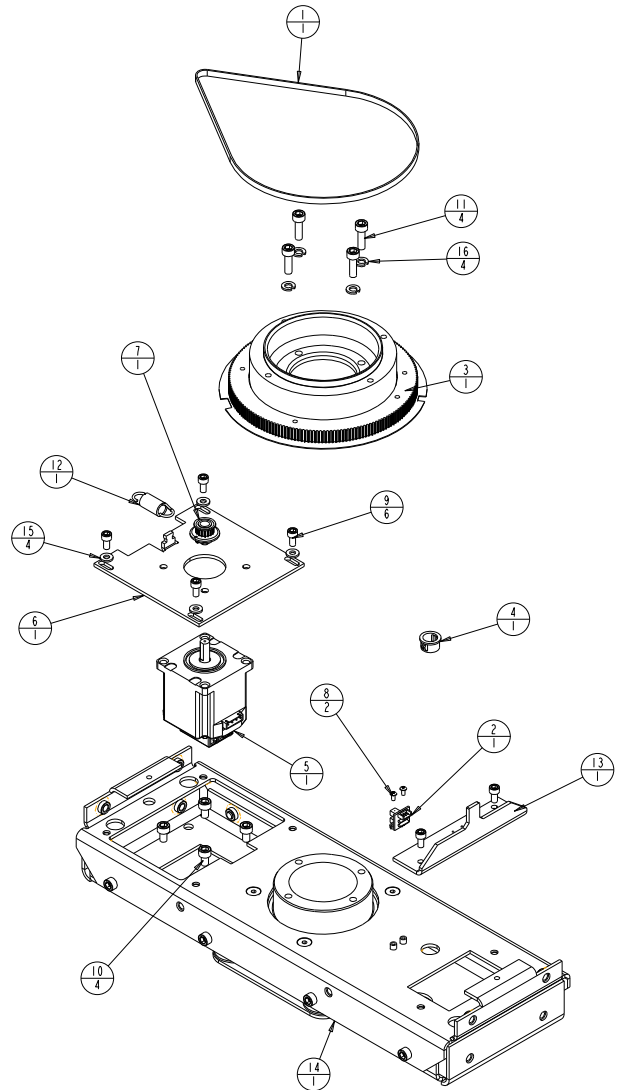


TWA081



REV.	DESCRIPTION	DATE	ENG	ECO #	APPR
1	CREATE DRAWING		KDB		
2	REPLACE DB335 PINION WITH TW335 PINION	29APR08	PP		MB

16	4	WASHER_M6_SPLITLOC	99309206	1	WASHER_LOCK_SPLIT_M6_SS
15	4	WASHER10-204X440SS	90706012	1	WASHER_FLAT #10_SS
14	1	TWA094	80460012	C	SUPPORT_ASSY_PAN BEARING V4
13	1	TW536	99260515	-	STOP_PAN_LOCK_SG
12	1	SPRINGS00_1250_LG	90701354	1	SPRING_EXTENSION_500 X 1.25 LG
11	4	SCREWM6AC20SS	91100620	1	SCREW_M6 SOCKET CAP 20 SS
10	4	SCREWM6AC10SS	91100610	1	SCREW_M6 SOCKET CAP 10 SS W/PATCH
9	6	SCREWM5AC10SSP	91100510	1	SCREW_M5 SOCKET CAP 10 SS W/PATCH
8	2	SCREWM3AB06BZP	91010306	1	SCREW_M3 BUTTON SOCKET HD 06 BZ W/PATCH
7	1	TW335	99430126	-	PINION ASSY 17T 3MM HTD, LOW PROFILE
6	1	TW527	99260505	A	MOUNT_PAN MOTOR SG
5	1	TW502	INTERNAL	Z	MOTOR_ENCODER ASSEMBLY MEA1
4	1	BUSHING500SNAP	90410102	1	GROMMET_SNAP BUSHING .50 ID
3	1	DBA015	INTERNAL	NA	GEAR ASSY_PAN DL2
2	1	FST09	80040022EF	1.0	BOARD_ASSY X-SPOT FLAG HOMING SENSOR
1	1	TW504	99360050	1	BELT_TIMING 3MM HTD, 200 GROOVE, 6MM
ITEM NO.	QTY.	FILENAME	PART NO.	REV	DESCRIPTION
BILL OF MATERIALS					

UNLESS OTHERWISE SPECIFIED	RELEASE DATE:	CE:	2105 GRACY FARMS LANE AUSTIN, TEXAS 78758 (512) 836-2242 FAX (512) 832-4128 ***** http://www.highend.com	
DIMENSIONAL TOLERANCES:	ENG:	OA:		
0 PLACE DECIMAL = ±0.38	ME:	DRW: K. BICKERS		
1 PLACE DECIMAL = ±0.25	MEG:			
2 PLACE DECIMALS = ±0.13	DESCRIPTION:	PAN BEARING COMPLETE SG		
ANGLES = ±0.5°	FOR PAINTED PARTS REFER TO	MATERIAL:	FINISH:	
	ENG. SPEC. MANUAL WI-0592	CHARTED	NONE	
MIN. DRAFT	ALL COMPONENTS, MATERIALS AND FINISHES TO BE RnHS COMPLIANT	INTERPRET DIMENSIONS PER	PART NO.	DRAWING NO.
MIN. RADI		ASME Y14.5M-1994	INTERNAL	TWA081
FLATNESS		THIRD ANGLE PROJECTION		REV.
THICKNESS		DIMENSIONS ARE IN MILLIMETERS		2
VOLUME			DO NOT SCALE	SCALE: 0.500
				SHEET: 1 OF 1

PROPRIETARY NOTICE:
 THIS DOCUMENT CONTAINS CONFIDENTIAL AND PROPRIETARY INFORMATION OF HIGH END SYSTEMS INC., (ALSO DBA LIGHTWAVE RESEARCH) AND IS GIVEN TO THE RECEIVER IN CONFIDENCE. THE RECEIVER ACCEPTS AND AGREES THAT, EXCEPT AS AUTHORIZED BY HIGH END SYSTEMS, THE RECEIVER WILL NOT PERMIT THE USE OF THE DOCUMENT OR ANY COPY THEREOF OR THE INFORMATION THEREIN, WILL NOT COPY OR PERMIT COPYING THE DOCUMENT WILL NOT DISCLOSE TO OTHERS EITHER THE DOCUMENT OR THE INFORMATION THEREIN, AND WILL UPON COMPLETION OF THE NEED TO RETURN THE DOCUMENT, OR UPON DEMAND, RETURN THE DOCUMENT WITHOUT RETAINING ANY OF THE INFORMATION CONTAINED THEREIN IN ANY FORM WHATSOEVER.