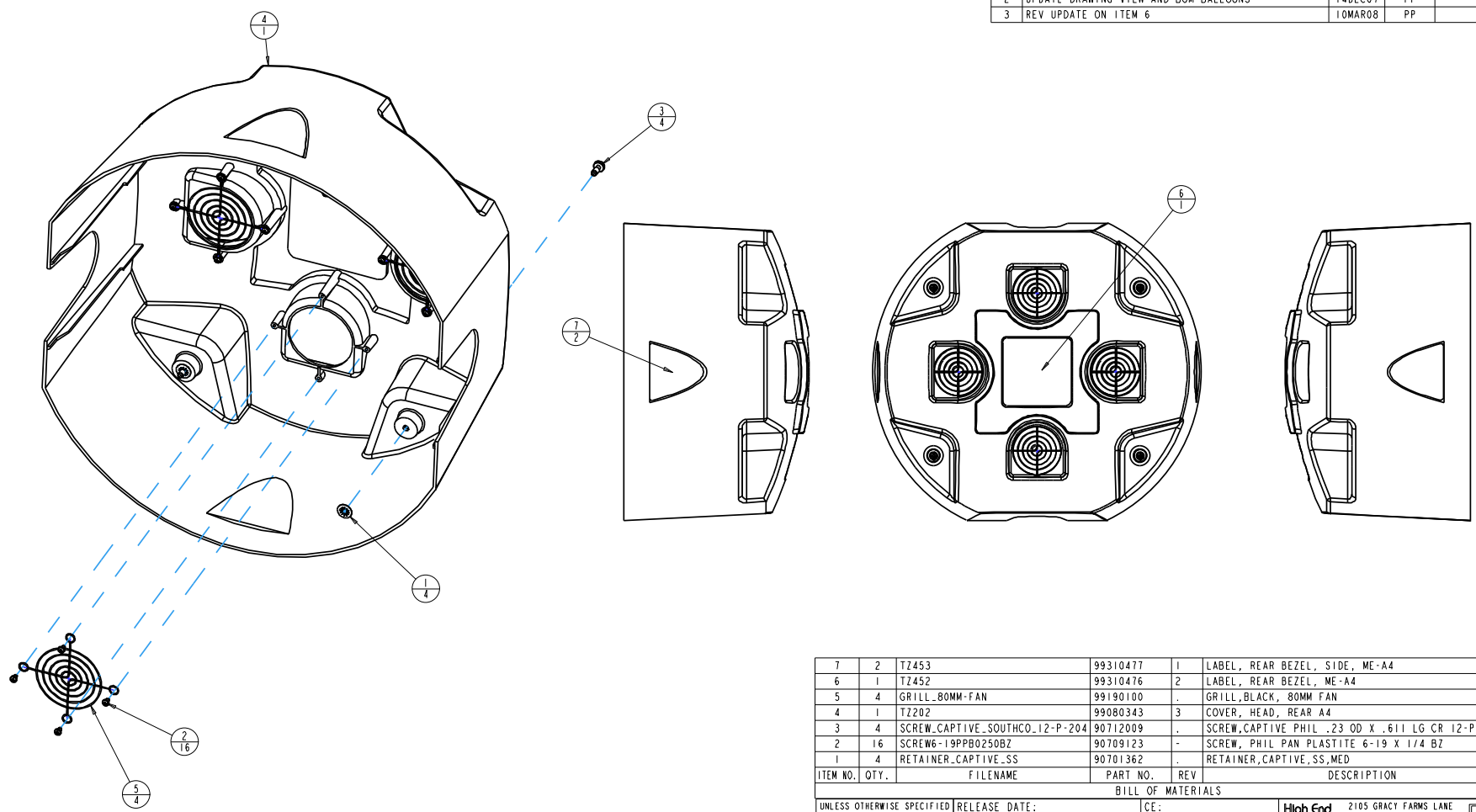


TZA033

REV.	DESCRIPTION	DATE	ENG	ECO #	APPR
1	CREATE DRAWING	12OCT07	KLB		
2	UPDATE DRAWING VIEW AND BOM BALLOONS	14DEC07	PP		
3	REV UPDATE ON ITEM 6	10MAR08	PP		MB



ITEM NO.	QTY.	FILENAME	PART NO.	REV	DESCRIPTION
7	2	TZ453	99310477	1	LABEL, REAR BEZEL, SIDE, ME-A4
6	1	TZ452	99310476	2	LABEL, REAR BEZEL, ME-A4
5	4	GRILL_80MM-FAN	99190100	.	GRILL, BLACK, 80MM FAN
4	1	TZ202	99080343	3	COVER, HEAD, REAR A4
3	4	SCREW_CAPTURE_SOUTHCO_12-P-204	90712009	.	SCREW, CAPTIVE PHIL .23 OD X .611 LG CR 12-P-204
2	16	SCREW6-19PPB0250BZ	90709123	-	SCREW, PHIL PAN PLASTITE 6-19 X 1/4 BZ
1	4	RETAINER_CAPTURE_SS	90701362	.	RETAINER, CAPTIVE, SS, MED

UNLESS OTHERWISE SPECIFIED:
 DIMENSIONAL TOLERANCES:
 0 PLACE DECIMAL = ±0.38
 1 PLACE DECIMAL = ±0.25
 2 PLACE DECIMALS = ±0.13
 ANGLES = ±0.5°

FOR PAINTED PARTS REFER TO ENG. SPEC. MANUAL W1-0592
 ALL COMPONENTS, MATERIALS AND FINISHES TO BE RoHS COMPLIANT

RELEASE DATE: _____
ENG: KEITH BRADY
ME: _____
MFG: _____
DRW: KEITH BRADY

CE: _____
QA: _____

DESCRIPTION: REAR BEZEL ASSEMBLY
MATERIAL: _____
FINISH: _____

High End 2105 GRACY FARMS LANE
 AUSTIN, TEXAS 78758
 (512) 836-2242
 FAX (512) 832-4128
 http://www.highend.com

Lightwave Research

SI METRIC A1

INTERPRET DIMENSIONS PER ASME Y14.5M-1994
 THIRD ANGLE PROJECTION
 DIMENSIONS ARE IN MILLIMETERS

PART NO. TBD
 DRAWING NO. TZA033
 REV. 3

DO NOT SCALE SCALE: 0.240 SHEET: 1 OF 1

PROPRIETARY NOTICE:
 THIS DOCUMENT CONTAINS CONFIDENTIAL AND PROPRIETARY INFORMATION OF HIGH END SYSTEMS, INC. (ALSO DBA LIGHTWAVE RESEARCH) AND IS GIVEN TO THE RECEIVER IN CONFIDENCE. THE RECEIVER ACCEPTS AND AGREES THAT, EXCEPT AS AUTHORIZED BY HIGH END SYSTEMS, THE RECEIVER WILL NOT PERMIT THE USE OF THE DOCUMENT OR ANY COPY THEREOF OR THE INFORMATION THEREIN, WILL NOT COPY OR PERMIT COPYING THE DOCUMENT, WILL NOT DISCLOSE TO OTHERS EITHER THE DOCUMENT OR THE INFORMATION THEREIN, AND WILL UPON COMPLETION OF THE NEED TO RETAIN THE DOCUMENT, OR UPON DEMAND, RETURN THE DOCUMENT WITHOUT RETAINING ANY OF THE INFORMATION CONTAINED THEREIN IN ANY FORM WHATSOEVER.