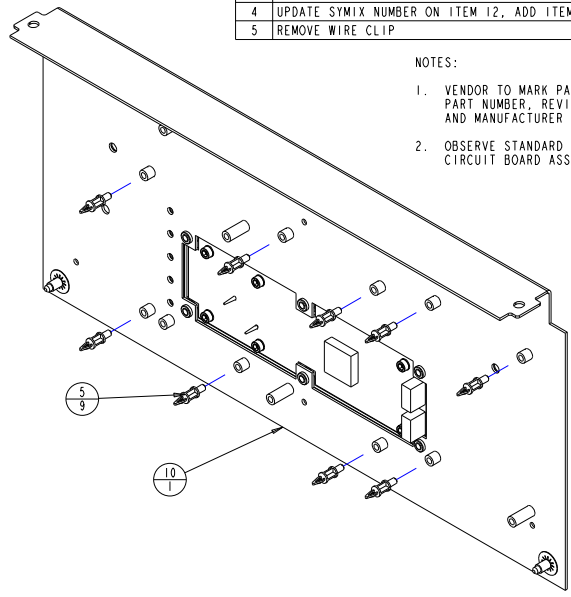
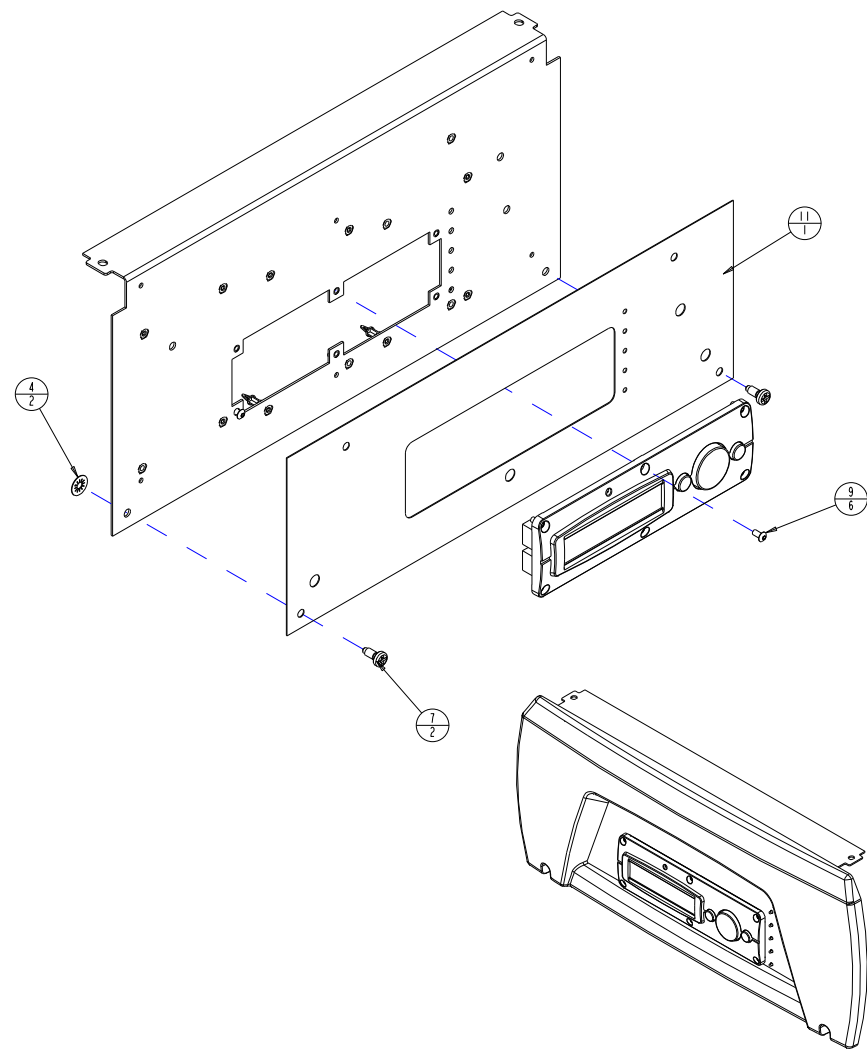


REV.	DESCRIPTION	DATE	ENG	ECO #	APPR
1	CREATE DRAWING	01OCT07	KLB		
2	UPDATE DRAWING VIEWS AND BOM BALLOONS	14DEC07	PP		MB
3	CHANGE PCB ITEM 12	05MAR08	PP		MB
4	UPDATE SYMIX NUMBER ON ITEM 12, ADD ITEM 3	14MAR08	PP		MB
5	REMOVE WIRE CLIP	07MAY08	PP		MB

- NOTES:
- VENDOR TO MARK PART OR BAG OF PARTS WITH PART NUMBER, REVISION, DATE CODE (WWYY OR YMMDD), AND MANUFACTURER NAME OR LOGO.
  - OBSERVE STANDARD ESD GROUNDING DURING CIRCUIT BOARD ASSEMBLY.



ITEM NO.	QTY.	FILENAME	PART NO.	REV	DESCRIPTION
13	1	DB200	CHARTED	B	BEZEL, TOP BOX, DL2
12	1	TZ433	80060031EF	I	BOARD ASSY, LED DISPLAY
11	2	TW440	80010208EF	I, I	BOARD, PAN & TILT MODULE 620X1 ASSY
10	1	TZ450	99310474	-	LABEL, FRONT PANEL, MEA4
9	1	TW199	99050058	B	PANEL, FRONT, ELECTRONIC ENCLOSURE, ME-A1
8	6	SCREW M4 B08 BZ	91010408	.	SCREW, M4 BUTTON 08 BZ W/PATCH
7	5	SCREW M4 C06 W-BZ	91000406	.	SCREW, M4 SOCKET CAP 06 BZ SEMS
6	2	SCREW-CAPTIVE 230PP611LG	90712007	.	SCREW, CAPTIVE PHIL .23 OD X .611 LG CR
5	6	SCREW-19PP380BTYPE-BZ	90709117	.	SCREW, 6-19 PHIL PAN PLASTITE 3/8 BZ
4	9	SUPPORT_LCBS	90702271	.	SPACER, SUPPORT, PCB NYLON
3	2	RETAINER_CAPTIVE_SS	90701362	.	RETAINER, CAPTIVE, SS, MED
2	1	TWA095	80010209	A	ASSY, VFD DISPLAY CLEAR WINDOW TESTED
1	1	FS706	80010139	Z	BOARD, CPU MODULE 5206E TESTED

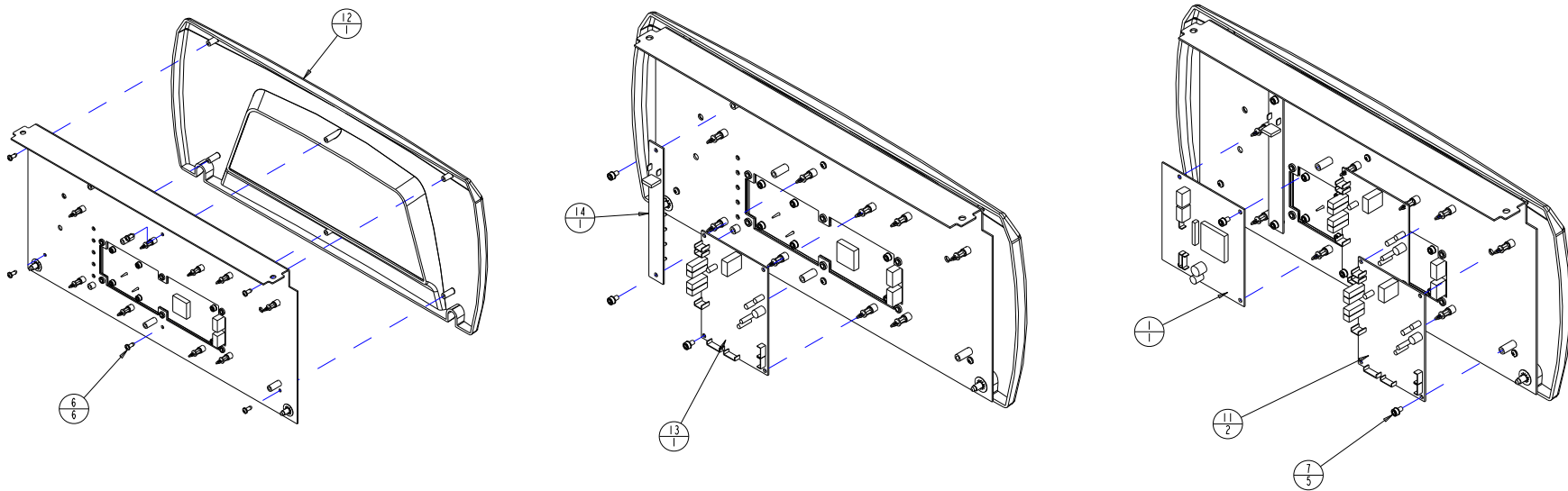
ITEM NO. QTY. FILENAME PART NO. REV DESCRIPTION

BILL OF MATERIALS

UNLESS OTHERWISE SPECIFIED	RELEASE DATE:	CE:	High End	2105 GRACY FARMS LANE AUSTIN, TEXAS 78758	
DIMENSIONAL TOLERANCES:	ENG: KEITH BRADY	OA:	(512) 836-2242	(512) 832-4128	
0 PLACE DECIMAL = ±0.38	MEG:	DRW: KEITH BRADY	FAK (512) 832-4128	http://www.highend.com	
1 PLACE DECIMAL = ±0.25	DESCRIPTION:				

FOR PAINTED PARTS REFER TO ENG. SPEC. MANUAL WI-0582	MATERIAL: CHARTED	FINISH: NA
ALL COMPONENTS, MATERIALS AND FINISHES TO BE RSHS COMPLIANT	DESCRIPTION: PANEL ASSEMBLY, FRONT, ELECT ENCL, MEA4	
MIN. DRIFT	INTERPRET DIMENSIONS PER ASME Y14.5M-1994	PART NO. INTERNAL TZA030
MIN. RADII	THIRD ANGLE PROJECTION	DRAWING NO. TZA030
FLATNESS	DIMENSIONS ARE IN MILLIMETERS	REV. 5
THICKNESS		DO NOT SCALE
VOLUME		SCALE: 0.400
		SHEET: 1 OF 2

PROPRIETARY NOTICE: THIS DOCUMENT CONTAINS CONFIDENTIAL AND PROPRIETARY INFORMATION OF HIGH END SYSTEMS INC., (ALSO DBA LIGHTWAVE RESEARCH) AND IS GIVEN TO THE RECEIVER IN CONFIDENCE. THE RECEIVER ACCEPTS AND AGREES THAT, EXCEPT AS AUTHORIZED BY HIGH END SYSTEMS, THE RECEIVER WILL NOT PERMIT THE USE OF THE DOCUMENT OR ANY COPY THEREOF OR THE INFORMATION THEREIN, WILL NOT COPY OR PERMIT COPYING THE DOCUMENT OR THE INFORMATION THEREIN, AND WILL UPON COMPLETION OF THE NEED TO RETAIN THE DOCUMENT, OR UPON DEMAND, RETURN THE DOCUMENT WITHOUT RETAINING ANY OF THE INFORMATION CONTAINED THEREIN IN ANY FORM WHATSOEVER.



**PROPRIETARY NOTICE:**  
 THIS DOCUMENT CONTAINS CONFIDENTIAL AND PROPRIETARY INFORMATION OF HIGH END SYSTEMS INC., (ALSO DBA LIGHTWAVE RESEARCH) AND IS GIVEN TO THE RECEIVER IN CONFIDENCE. THE RECEIVER ACCEPTS AND AGREES THAT, EXCEPT AS AUTHORIZED BY HIGH END SYSTEMS, THE RECEIVER WILL NOT PERMIT THE USE OF THE DOCUMENT OR ANY COPY THEREOF OR THE INFORMATION THEREIN, WILL NOT COPY OR PERMIT COPYING THE DOCUMENT OR THE INFORMATION THEREIN, AND WILL UPON COMPLETION OF THE NEED TO RETAIN THE DOCUMENT, OR UPON DEMAND, RETURN THE DOCUMENT WITHOUT RETAINING ANY OF THE INFORMATION CONTAINED THEREIN IN ANY FORM WHATSOEVER.

UNLESS OTHERWISE SPECIFIED		RELEASE DATE:	CE:	High End 2105 GRACY FARMS LANE AUSTIN, TEXAS 78758 (512) 836-2242 FAX (512) 832-4128 ***** http://www.highend.com	LIGHTWAVE RESEARCH
DIMENSIONAL TOLERANCES:		ENG: KEITH BRADY	OA:		
0 PLACE DECIMAL = ±0.38		ME:			
1 PLACE DECIMAL = ±0.25		MEG:	DRW: KEITH BRADY		
2 PLACE DECIMALS = ±0.13				DESCRIPTION: PANEL ASSEMBLY, FRONT, ELECT ENCL, MEA4	
ANGLES = ±0.5°				MATERIAL: CHARTED	
FOR PAINTED PARTS REFER TO ENG. SPEC. MANUAL WI-0582				FINISH: NA	
ALL COMPONENTS, MATERIALS AND FINISHES TO BE R6HS COMPLIANT				INTERPRET DIMENSIONS PER ASME Y14.5M-1994 THIRD ANGLE PROJECTION DIMENSIONS ARE IN MILLIMETERS	
MIN. DRAFT		SI METRIC A1	PART NO.	DRAWING NO.	REV.
MIN. RADIUS			INTERNAL	TZA030	5
FLATNESS			DO NOT SCALE	SCALE: 0.400	SHEET: 2 OF 2
THICKNESS					
VOLUME					