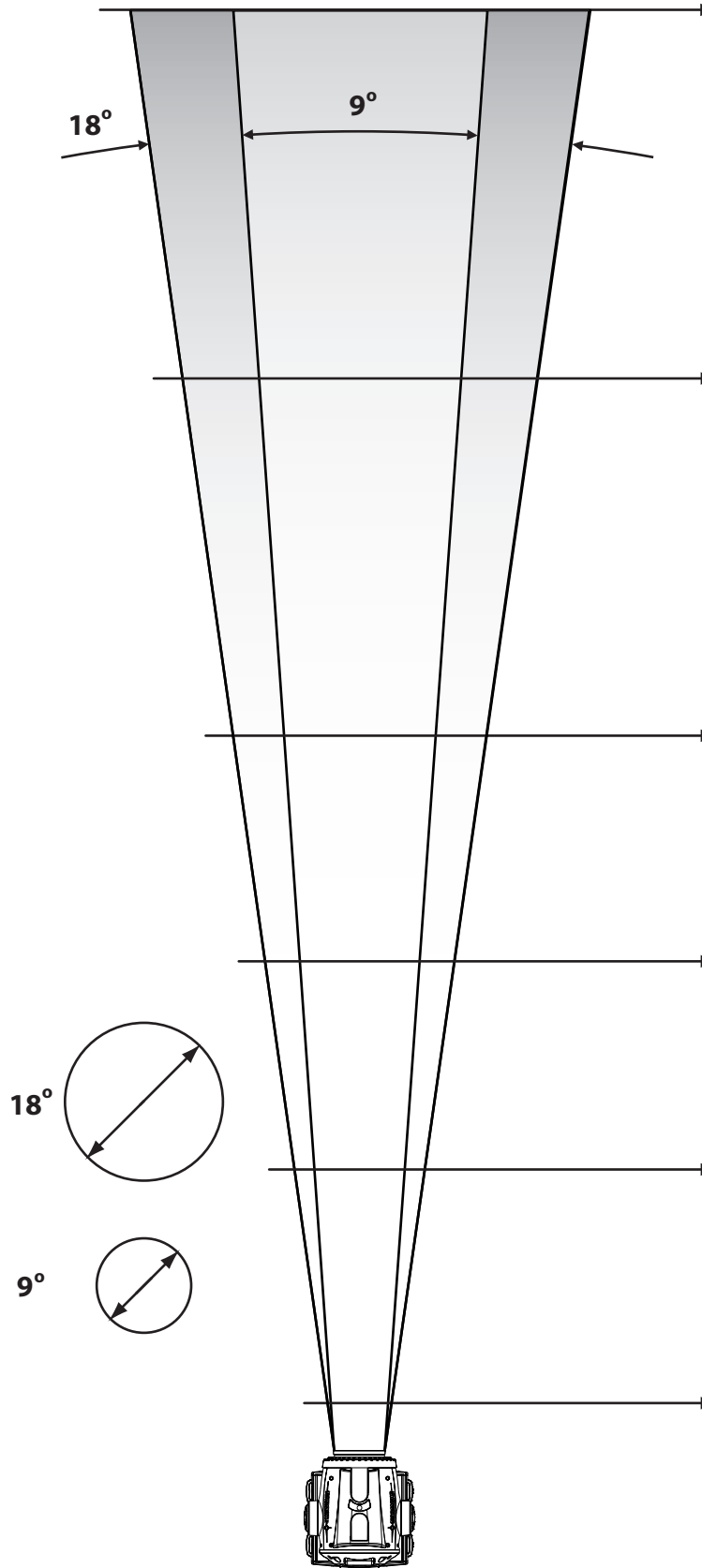




BEAM PROJECTION CHART



DISTANCE	BEAM DIAMETER	
100 meters (328 ft.)	18° — 31.7 m (104 ft.)	fc- 63 lux- 678
	9° — 15.75 m (52 ft.)	fc- 81 lux- 872
75 meters (246 ft.)	18° — 23.8m (78 ft.)	fc- 112 lux- 1205
	9° — 11.8m (39 ft.)	fc- 145 lux- 1560
50 meters (164 ft.)	18° — 15.8 m (52 ft.)	fc- 253 lux- 2723
	9° — 7.9 m (26 ft.)	fc- 326 lux- 3509
25 meters (82 ft.)	18° — 7.9m (26 ft.)	fc- 1011 lux- 10822
	9° — 3.9m (13 ft.)	fc- 1303 lux- 14025
15 meters (49 ft.)	18° — 4.75m (16 ft.)	fc- 2810 lux- 30246
	9° — 2.4m (8 ft.)	fc- 3620 lux- 38965
4 meters (13.12 ft.)	18° — 1.3 m (4.3 ft.)	fc- 27000 lux- 290625
	9° — .63 m (2 ft.)	fc- 43000 lux- 462848