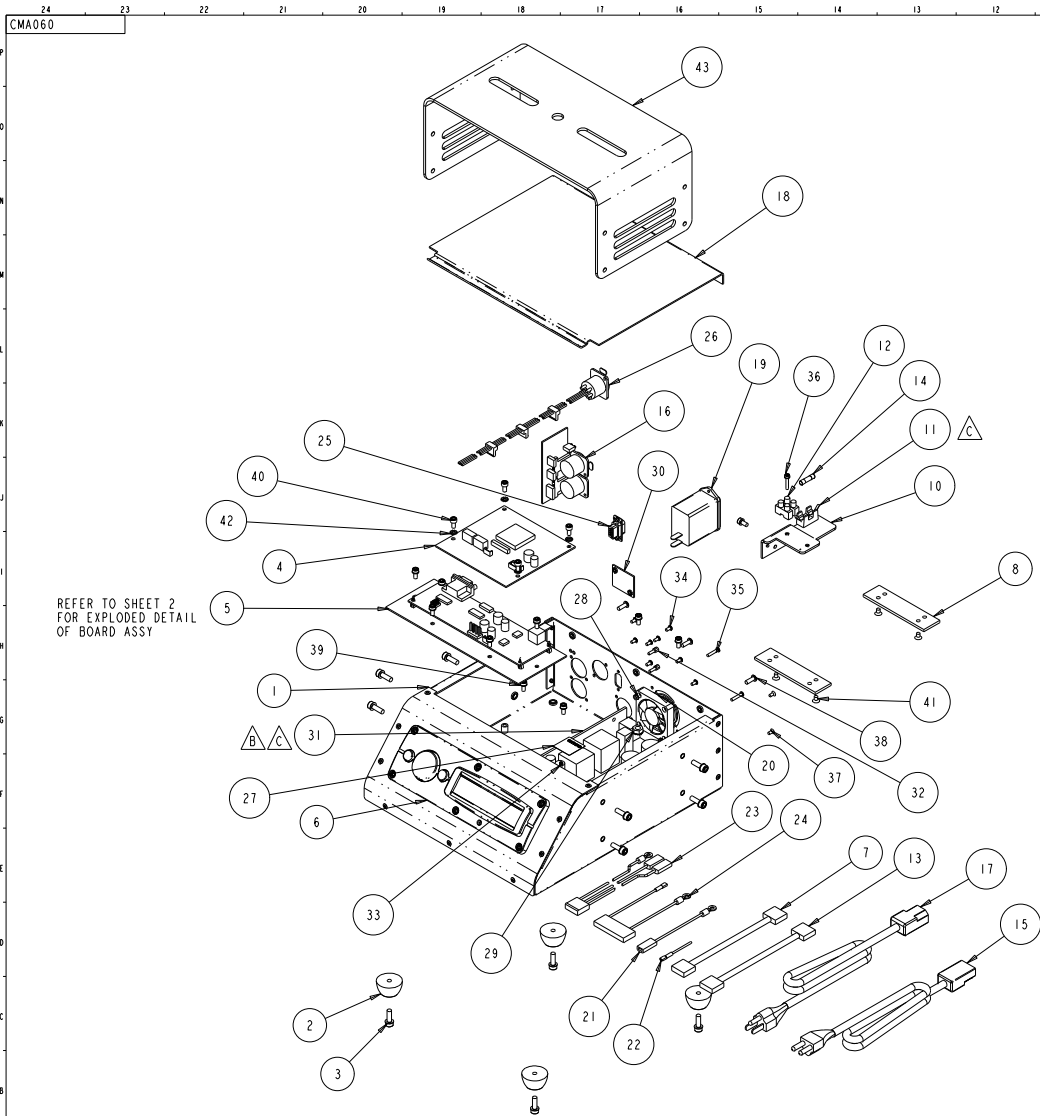


Production Print High End Systems

9/24/2008

Issued By: Lee Fredrickson



REFER TO SHEET 2
FOR EXPLODED DETAIL
OF BOARD ASSY

REV.	DESCRIPTION	DATE	ENG	ECO #	APPR
-	RELEASE TO PRODUCTION				
A	CHANGED ITEM 1 FROM 80030053 TO 80030055	21OCT06	KLB	#2115	KDB
B	CHANGED ITEM 34 POWER SUPPLY TO 99070009.	12FEB07	KLB	#2163	KDB
C	PWR SUP & FUSEHOLDER NOW RoHS COMPLIANT;;ADVANCE REV ON THIS DRAWING	19JUN08	LR	#2506	LR
D	DISP WAS 80010168/FSA061 NOW:80010209EF/TWA095EF	24SEP08	LR	#2523	DP

ITEM NO.	QTY.	FILENAME	PART NO.	REV	DESCRIPTION
43	1	CM105	80071732	A	YOKE, CONTROLLER BOX, CATALYST
42	4	WASHER6LET	90706006	.	WASHER, LOCK#6 EXT TOOTH SZ
41	4	SCREW M4AF06BZ	91040406	.	SCREW, M4 SOCKET CSNK FLAT 06 BZ W/PATCH
40	4	SCREW M4AC8SS	91100408	.	SCREW, M4 SOCKET CAP 08 SS
39	15	SCREW M4AC08BZ	91000408	.	SCREW, M4 SOCKET CAP 08 BZ SEMS
38	3	SCREW M4AB12BZ	91010412	.	SCREW, M4 BUTTON 12 BZ W/PATCH
37	2	SCREW M3AF06BZP	91040306	.	SCREW, M3 SOCKET CSNK FLAT 06 BZ W/PATCH
36	1	SCREW M3AC16BZ	91000316	.	SCREW, M3 SOCKET CAP 16 BZ SEMS
35	2	SCREW M3AB16BZ	91010316	.	SCREW, M3 BUTTON SOCKET HEAD 16 BZ
34	8	SCREW M3AB06BZP	91010306	.	SCREW, M3 SOCKET HD 06 BZ W/PATCH
33	1	SCREW M2AC04W-BZ	91000204	.	SCREW, M2 SOCKET CAP 04 BZ SEMS
32	2	STANDOFF 440X347HEX_MF	90707122	.	SCREW, JACK 4-40 X .347 SEMS
31	1	FS721	99070009EF	.	POWER SUPPLY, SWITCHING 40V 250W PFC
30	1	CM135	80070409	.	PLATE, RS-485 COVER, CATALYST
29	2	NUT M6KEP	91201206	.	NUT, M6 KEPS
28	2	NUT M3KEP	91201203	.	NUT, M3 KEPS
27	1	LABEL_WARNING	99310380	.	LABEL, WARNING FUSE, CATALYST
26	1	CM720	90409256	A	HARNESS, CATALYST, SERIAL CNTRL BOX, MAIN
25	1	CM704EF	90409251EF	.	HARNESS, RS232 COMM CATALYST CTRL BOX
24	1	CM708	90409118	.	HARNESS, CATALYST, MPS OUTPUT
23	1	CM707	90409119	C	HARNESS, CATALYST, MPS INPUT
22	1	CM712	90409122	.	HARNESS, CATALYST, FUSE BLOCK
21	1	CM711	90409121	.	HARNESS, CATALYST, AC GROUND
20	1	CM717	80270018	B	FAN, ASSY POWER HUB CATALYST
19	1	LINE FILTER, 10A, 2-POLE	90601052	.	FILTER, RF, 2-POLE SWITCH, KFB
18	1	CM102	80071731	A	COVER, CONTROLLER, CATALYST
17	1	CM718	90409072	.	CORD, POWER A/C SVT 18/3 W/RECEPTACLE
16	1	CM428	80030050	I.1	BOARD, COMMUNICATIONS, CATALYST
15	1	CM719	90803024	.	CORD, AC LINE IMM 8' 10A 250V
14	1	FUSE 5X20_2-5	90403027	.	FUSE, 5 x20mm, SLO-BLO, CLEAR, 2.5 AMP 250V
13	1	CM714	90409126	.	CABLE, LINK 5 CONDUCTOR SHIELDED CATALYST
12	1	FS704	90406118	.	BLOCK, TERMINAL, 2 POS
11	1	FUSE HOLDER 5X20	90412018EF	.	BLOCK, FUSE SINGLE 5 X 20MM SINGLE
10	1	CM108	99263106	A	BRACKET, FUSE MOUNT, CATALYST
8	2	CM107	99080202	A	PLATE, POWER SUPPLY ADAPTER, CATALYST
7	1	CM715	90409127	.	CABLE, LED CONNECTOR BOARD CATAL
6	1	TWA095EF	80010209EF/D	.	ASSY, VFD DISPLAY CLEAR WINDOW TESTED
5	1	CMA005	INTERNAL	NA	ASM, SERIAL BOARD PLATE, CATALYST
4	1	FS705	80010139	I.3.1	BOARD, CPU MODULE 5206E TESTED
3	12	SCREW M5AC16W-BZ	91000516	.	SCREW, M5 SOCKET CAP 16 BZ SEMS
2	4	RUBBER FOOT	90410089	.	FOOT, RUBBER STC/NH LONG
1	1	CMA010	80071729	A	ASSY, CONTROLLER REVETED CATALYST

UNLESS OTHERWISE SPECIFIED: RELEASE DATE: APRIL 10, 2006 CE: _____
 DIMENSIONAL TOLERANCES: ENG: DOUG F OA: _____
 0 PLACE DECIMAL = ±0.38 ME: _____
 1 PLACE DECIMAL = ±0.25 MEG: _____
 2 PLACE DECIMALS = ±0.13 MEG: _____
 ANGLES = ±0.5° DRW: D FRANKLIN

FOR PAINTED PARTS REFER TO ENG. SPEC. MANUAL WI-0592 MATERIAL: CHARTED FINISH: NA
 ALL COMPONENTS, MATERIALS AND FINISHES TO BE RoHS COMPLIANT

MIN. DRAFT INTERPRET DIMENSIONS PER ASME Y14.5M-1994 THIRD ANGLE PROJECTION DIMENSIONS ARE IN MILLIMETERS

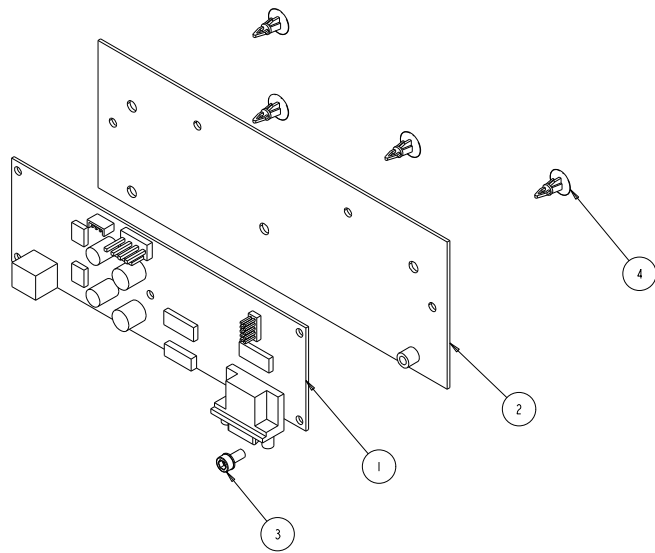
SI METRIC A1 PART NO. 56040053 DRAWING NO. CMA060 REV. D

DO NOT SCALE SCALE: 0.380 SHEET: 1 OF 2


High End 2105 GRACY FARMS LANE AUSTIN, TEXAS 78758 (512) 836-2242 FAX (512) 832-4128 http://www.highend.com LIGHTWAVE RESEARCH

PROPRIETARY NOTICE: THIS DOCUMENT CONTAINS CONFIDENTIAL AND PROPRIETARY INFORMATION OF HIGH END SYSTEMS INC., (ALSO DBA LIGHTWAVE RESEARCH) AND IS GIVEN TO THE RECEIVER IN CONFIDENCE. THE RECEIVER ACCEPTS AND AGREES THAT, EXCEPT AS AUTHORIZED BY HIGH END SYSTEMS, THE RECEIVER WILL NOT PERMIT THE USE OF THE DOCUMENT OR ANY COPY THEREOF OR THE INFORMATION THEREIN, WILL NOT COPY OR PERMIT COPYING THE DOCUMENT OR THE INFORMATION THEREIN, AND WILL UPON COMPLETION OF THE NEED TO RETAIN THE DOCUMENT, OR UPON DEMAND, RETURN THE DOCUMENT WITHOUT RETAINING ANY OF THE INFORMATION CONTAINED THEREIN IN ANY FORM WHATSOEVER.

CMA060	REV.	DESCRIPTION	DATE	ENG	ECO #	APPR
--------	------	-------------	------	-----	-------	------



ITEM NO.	QTY.	FILENAME	PART NO.	REV	DESCRIPTION
4	4	SUPPORT_CRLCBSRE_4.D1	90702207	.	STANDOFF,PCB NYLON .250
3	1	SCREW.M4AC08BZ	91000408	.	SCREW.M4 SOCKET CAP 08 BZ SEMS
2	1	CM120	99080277	-	PLATE,SERIAL BOARD MOUNT,CATALYST
1	1	CAT425	80030055	A 1.3	BOARD,CAMERA INTERFACE DLI ASSY
BILL OF MATERIALS					

UNLESS OTHERWISE SPECIFIED DIMENSIONAL TOLERANCES: 0 PLACE DECIMAL = ±0.38 1 PLACE DECIMAL = ±0.25 2 PLACE DECIMALS = ±0.13 ANGLES = ±0.5°	RELEASE DATE: APRIL 10, 2006	CE:	High End 2105 GRACY FARMS LANE AUSTIN, TEXAS 78758 (512) 836-2242 FAX (512) 832-4128 ***** http://www.highend.com		
	ENG: DOUG F	QA:			
	ME:	DRW: D FRANKLIN			
	MEG:				
FOR PAINTED PARTS REFER TO ENG. SPEC. MANUAL WI-0582 ALL COMPONENTS, MATERIALS AND FINISHES TO BE R6HS COMPLIANT	DESCRIPTION: POWER HUB,SERIAL CONTROL,ORBITAL HEAD	MATERIAL:	FINISH:		
MIN. DRAFT MIN. RADIUS FLATNESS THICKNESS VOLUME	INTERPRET DIMENSIONS PER ASME Y14.5M-1994 THIRD ANGLE PROJECTION DIMENSIONS ARE IN MILLIMETERS	SI METRIC A1	PART NO. 56040053	DRAWING NO. CMA060	REV. D
		DO NOT SCALE	SCALE: 0.380	SHEET: 2 OF 2	

PROPRIETARY NOTICE:
 THIS DOCUMENT CONTAINS CONFIDENTIAL AND PROPRIETARY INFORMATION OF HIGH END SYSTEMS INC., (ALSO DBA LIGHTWAVE RESEARCH) AND IS GIVEN TO THE RECEIVER IN CONFIDENCE. THE RECEIVER ACCEPTS AND AGREES THAT, EXCEPT AS AUTHORIZED BY HIGH END SYSTEMS, THE RECEIVER WILL NOT PERMIT THE USE OF THE DOCUMENT OR ANY COPY THEREOF OR THE INFORMATION THEREIN, WILL NOT COPY OR PERMIT COPYING THE DOCUMENT OR THE INFORMATION THEREIN, AND WILL UPON COMPLETION OF THE NEED TO RETAIN THE DOCUMENT, OR UPON DEMAND, RETURN THE DOCUMENT WITHOUT RETAINING ANY OF THE INFORMATION CONTAINED THEREIN IN ANY FORM WHATSOEVER.