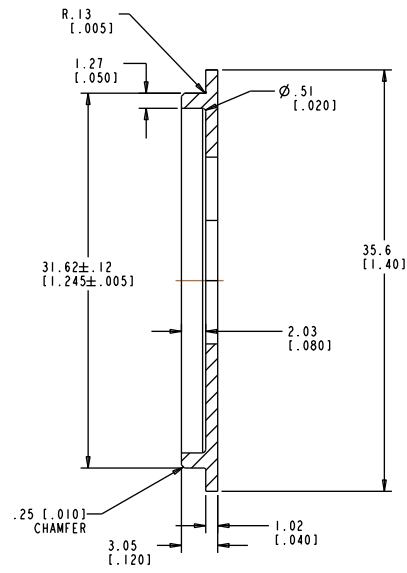
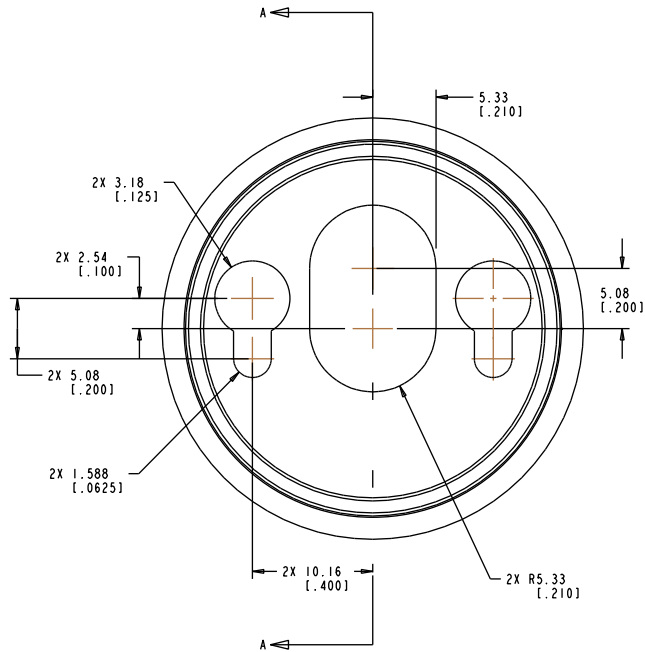


JZ105

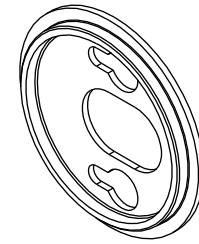
REV.	DESCRIPTION	DATE	ENG	ECO #	APPR
1	CREATE DRAWING	01FEB10	PP		
2	MATERIAL TO 6061 ALUMINUM	24FEB10	PP		
AA	CHANGE SHEET/ REVISION FORMAT, ADD PART NUMBER	09JUL10	PP		



SECTION A-A

NOTES: UNLESS OTHERWISE SPECIFIED:

- PART TO BE FREE OF BURRS AND SHARP EDGES.
- DEGREASE PART PRIOR TO SHIPPING.
- THE PRO-E CAD DATABASE REPRESENTS THE DESIGN INTENT NOMINAL OF ALL DIMENSIONED AND UNDIMENSIONED FEATURES.
- VENDOR TO MARK BAG OF PARTS WITH PART NUMBER, REVISION, DATE CODE (WVYY OR YVMMDD), AND MANUFACTURER MAKE OR LOGO



UNLESS OTHERWISE SPECIFIED	<b>S</b> <b>METRIC</b> <b>A1</b>	INTERPRET DIMENSIONS PER ASME Y14.5M-1994 THIRD ANGLE PROJECTION		DRAWN: PETE PHILLIPS	 www.barco.com	 www.highend.com
DIMENSIONAL TOLERANCES: X: ±0.38 (.015) X, Y: ±0.25 (.010) X, Z: ±0.13 (.005) ANGLES: ±0.5° DIMENSIONS ARE IN MM (INCHES)	MATERIAL: ALUMINUM, 6061	  (LTD) = INSPECTION DIMENSIONS TO CHECK	CHECKED: MIKE BELL APVD:	CAD FILE: JZ105		
ALL COMPONENTS, MATERIALS AND FINISHES TO BE ROHS COMPLIANT	FINISH: NONE	THIS DOCUMENT CONTAINS CONFIDENTIAL AND PROPRIETARY INFORMATION OF BARCO / HIGH END SYSTEMS INC. AND IS GIVEN TO THE RECEIVER IN CONFIDENCE. THE RECEIVER ACCEPTS AND AGREES THAT, EXCEPT AS AUTHORIZED BY BARCO / HIGH END SYSTEMS, THE RECEIVER WILL NOT FORM, REPRODUCE, DISCLOSE, OR ANY COPY THEREOF OR THE INFORMATION THEREIN. WILL NOT COPY OR PERMIT COPYING THE DOCUMENT WILL NOT DISCLOSE TO OTHERS EITHER THE INFORMATION THEREIN, AND WILL UPON COMPLETION OF THE NEED TO RETAIN THE DOCUMENT, OR UPON DEMAND, RETURN THE DOCUMENT WITHOUT RETAINING ANY OF THE INFORMATION CONTAINED THEREIN IN ANY FORM WHATSOEVER.		ITEM CODE: 99260633	REV: AA	
				PROJECT: MEK6	SCALE: 3.000	SHEET: 1 OF 1