

REVISION HISTORY

SCH REV	PCB REV	ECO NO.	DATE	COMMENT
- 1.B.1	- 1.B	-	1/12/99	

NOTES :

UNLESS OTHERWISE SPECIFIED :

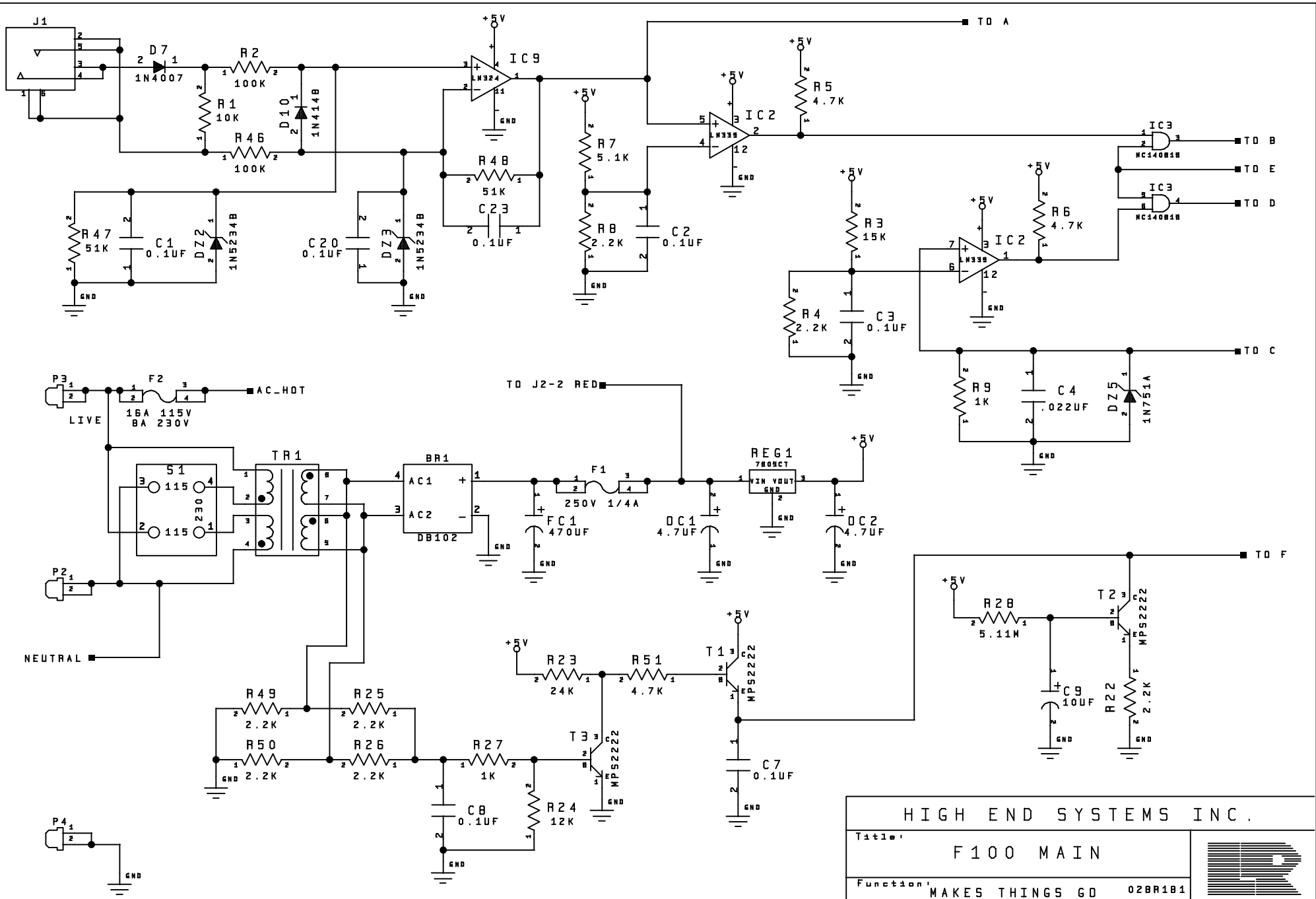
1. ALL RESISTOR VALUES ARE IN OHMS
2. ALL RESISTORS ARE 1/4 WATT 5% OR BETTER
3. CAPACITOR VALUES ARE IN PICO FARADS
4. ALL NON POLARIZED CAPACITORS ARE 50V OR BETTER
VALUES BELOW 470pF ARE NPO/COG TYPE 5%
VALUES 470pF TO 1000pF ARE X7R 10%
VALUES ABOVE 1000pF ARE Z5U +/- 20 %
5. ALL POLARIZED CAPACITORS ARE 20% OR BETTER

Copyright (c) 1994-1999 High End Systems, Inc. All rights reserved worldwide.

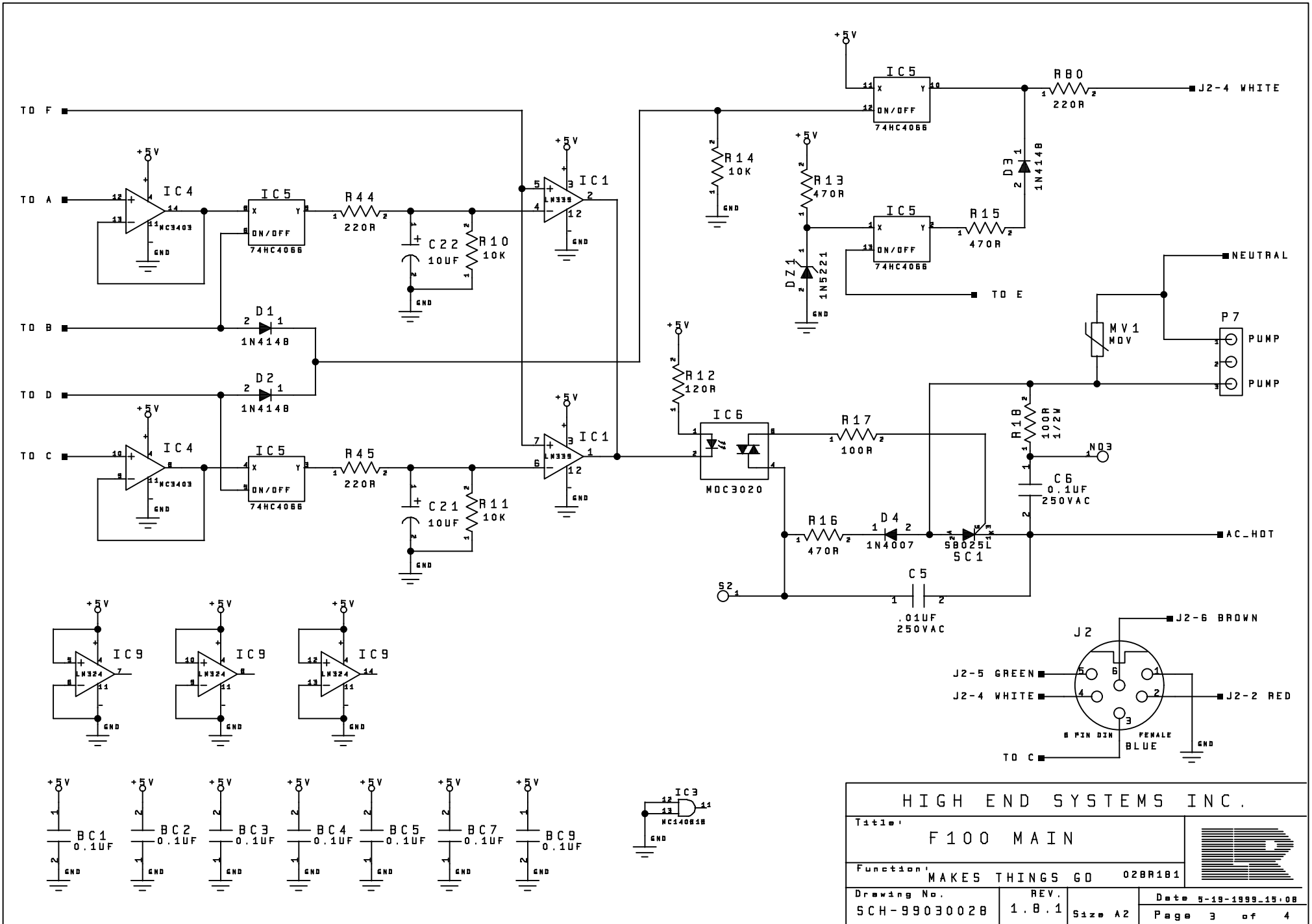
F100, Lightwave Research, the Lightwave Research logo, High End Systems and the High End Systems logo are registered trademarks of High End Systems, Inc. Trademarks and trade names of others may be used in this document to refer to either such other entities or to their products. High End Systems Inc. disclaims any proprietary interest or connection to such marks or entities.

HIGH END SYSTEMS INC.			
Title:		F100 MAIN	
Function:		02BR1B1	
Drawing No.	REV.	Designed:	
SCH-9903002B	1.B.1	ENGINEER	
Drawn:		Approved:	
DRAWER			
Date: I-12-1999-9.46	Size: A2	Page: 1	of 4

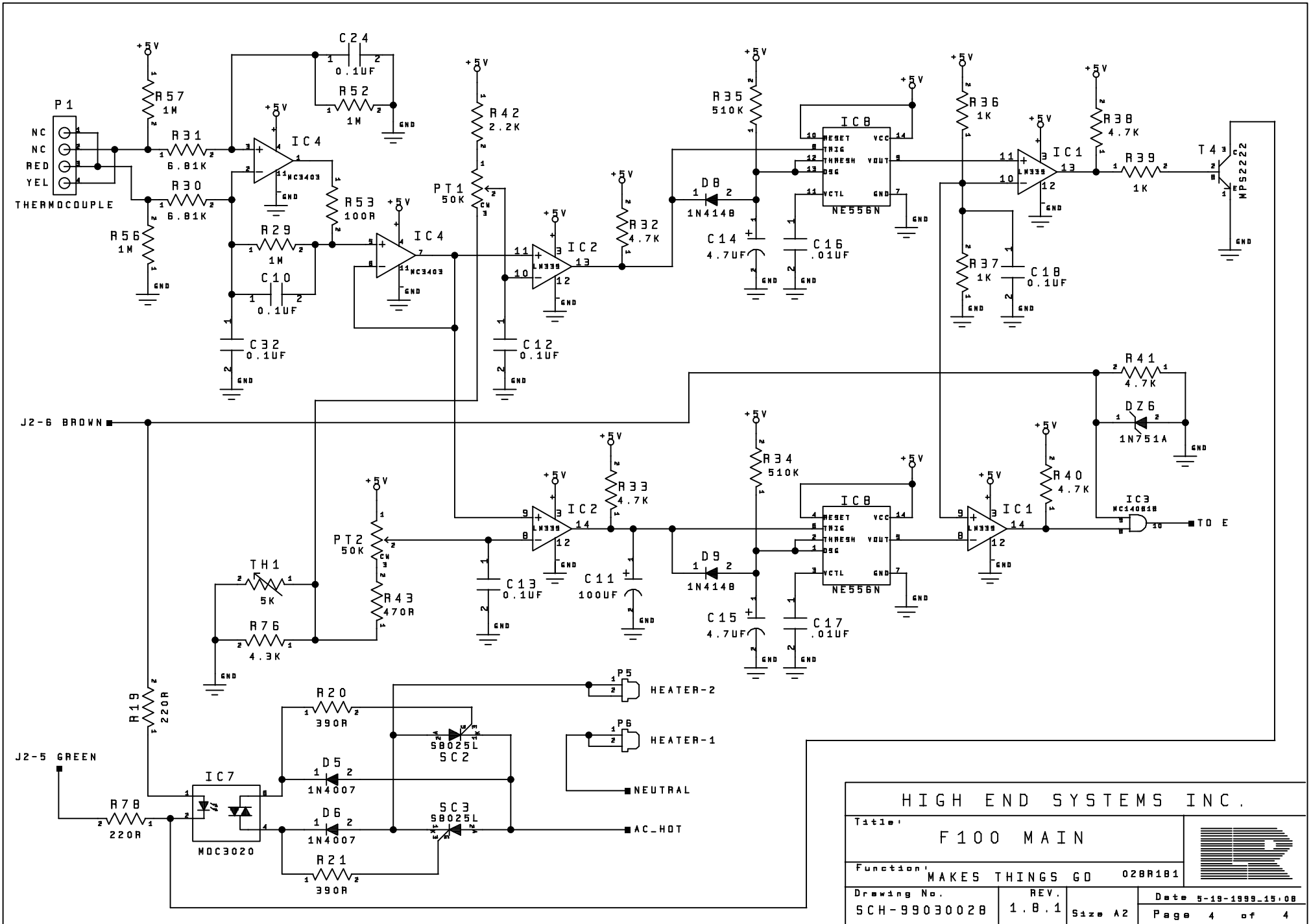




HIGH END SYSTEMS INC.			
Title:		F100 MAIN	
Function:		MAKES THINGS GO 028R101	
Drawing No.	REV.	Size	Date
SCH-99030028	1. B. 1	A2	5-19-1999-15.08
			Page 2 of 4



HIGH END SYSTEMS INC.			
Title:		F100 MAIN	
Function:		MAKES THINGS GO 02BR101	
Drawing No.	REV.	Date 5-19-1999-15:08	
SCH-9903002B	1. B. 1	Size A2	Page 3 of 4



HIGH END SYSTEMS INC.

Title:		F100 MAIN		
Function:		MAKES THINGS GO 028R101		
Drawing No.	REV.	Size	Date	
SCH-99030028	1. B. 1	A2	5-19-1999-15.08	
Page 4			of 4	