

REVISION HISTORY

SCH REV	PCB REV	ECO NO.	DATE	COMMENT
- 1.8	- 1.8	-	XX/XX/97	INITIAL

NOTES :

UNLESS OTHERWISE SPECIFIED :

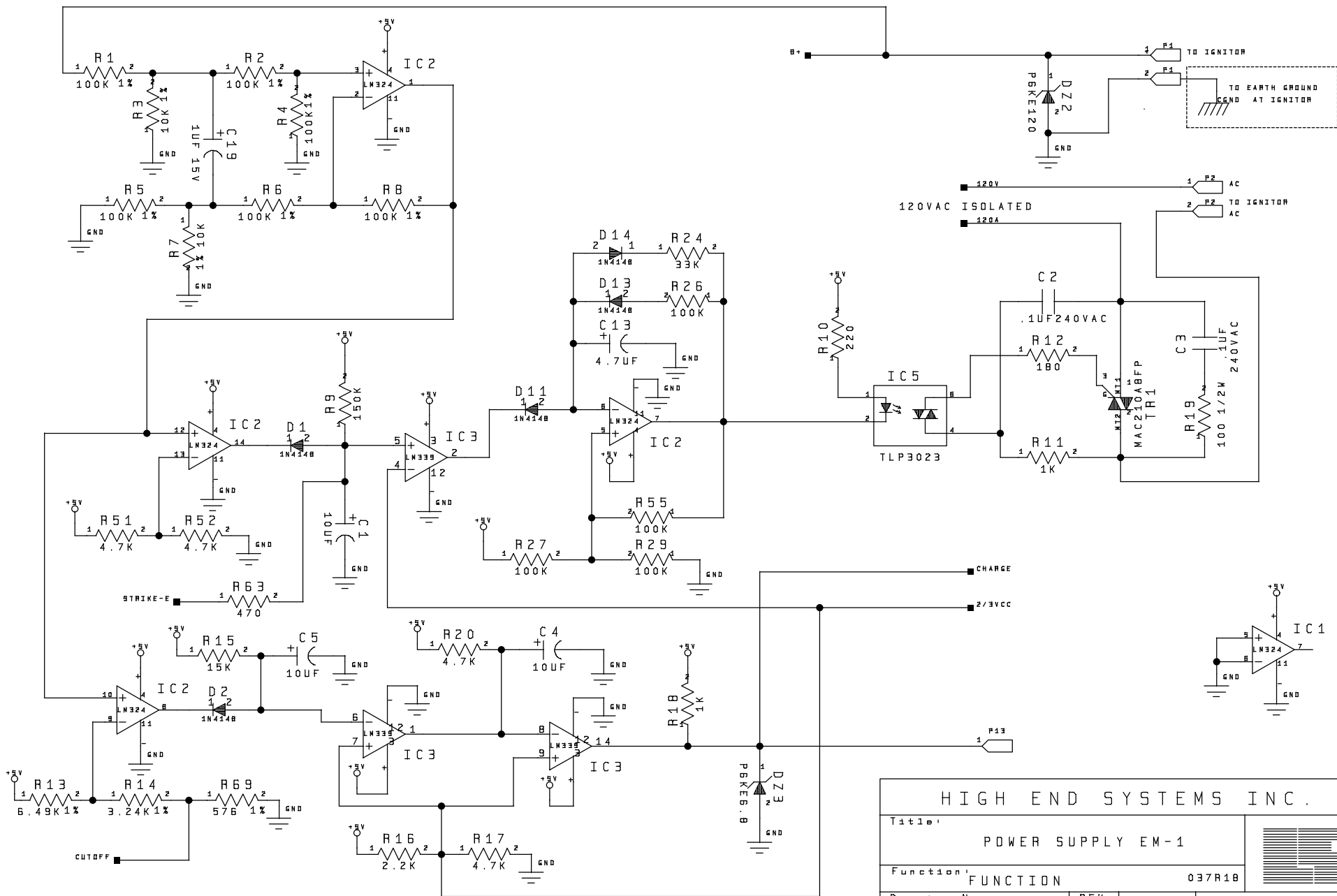
1. ALL RESISTOR VALUES ARE IN OHMS
2. ALL RESISTORS ARE 1/4 WATT 5% OR BETTER
3. CAPACITOR VALUES ARE IN PICO FARADS
4. ALL NON POLARIZED CAPACITORS ARE 50V OR BETTER
VALUES BELOW 470pF ARE NPO/COG TYPE 5%
VALUES 470pF TO 1000pF ARE X7R 10%
VALUES ABOVE 1000pF ARE Z5U +/- 20 %
5. ALL POLARIZED CAPACITORS ARE 20% OR BETTER
6. ALL DIODES ARE 1N4148

Copyright (c) 1994-1997 High End Systems, Inc. All rights reserved worldwide.

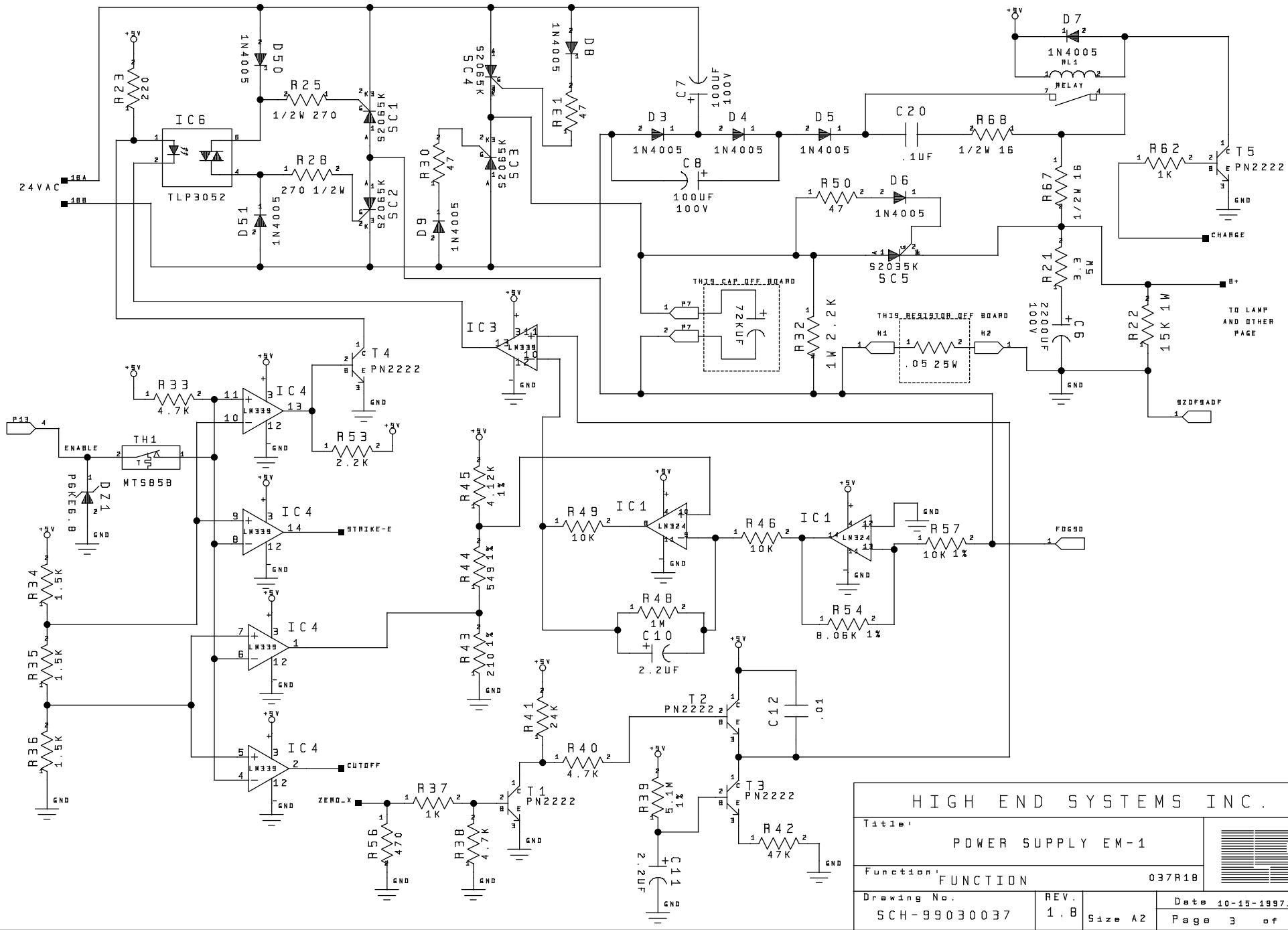
Name, Lightwave Research, the Lightwave Research logo, High End Systems and the High End Systems logo are registered trademarks of High End Systems, Inc. Trademarks and trade names of others may be used in this document to refer to either such other entities or to their products. High End Systems Inc. disclaims any proprietary interest or connection to such marks or entities.

HIGH END SYSTEMS INC.			
Title:		POWER SUPPLY EM-1	
Function:		COVER SHEET 037R18	
Drawing No.	REV.	Designed:	
SCH-99030037	1.8	ENGINEER	
Drawn:		Approved:	
DRAWER			
Date:	Size:	Page:	of
10-14-1997-16:28	A2	1	4

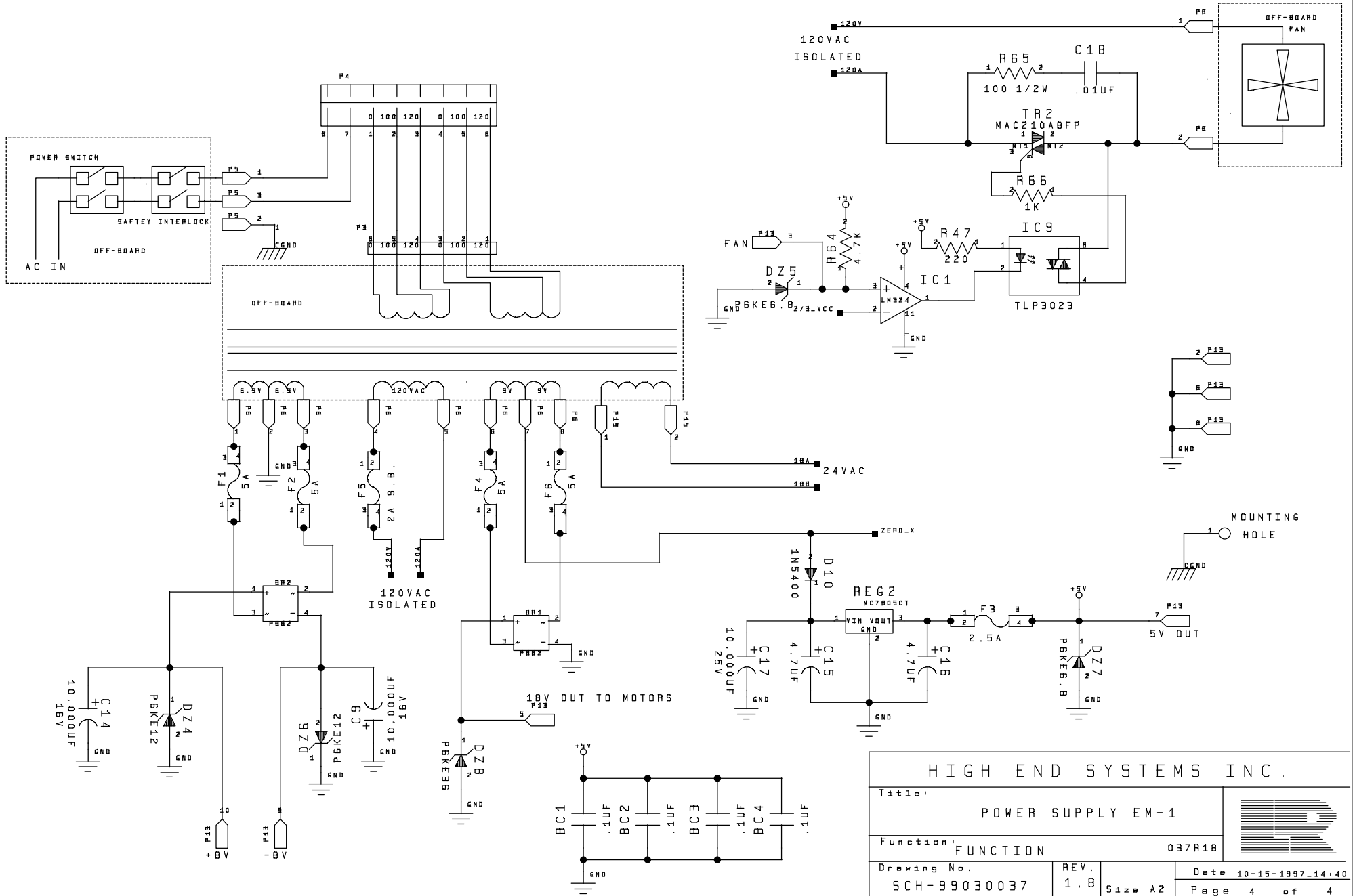




HIGH END SYSTEMS INC.			
Title:		POWER SUPPLY EM-1	
Function:		FUNCTION	
Drawing No.		SCH-99030037	
REV.		1.8	
Date		10-15-1997-13.59	
Size		A2	
Page		2 of 4	



HIGH END SYSTEMS INC.			
Title:		POWER SUPPLY EM-1	
Function:		FUNCTION	
Drawing No.		SCH-99030037	
REV.		1.8	
Date		10-15-1997-14.40	
Size		A2	
Page		3 of 4	



HIGH END SYSTEMS INC.			
Title:		POWER SUPPLY EM-1	
Function:		FUNCTION	
Drawing No.		SCH-99030037	
REV.		1.8	
Date		10-15-1997-14.40	
Size		A2	
Page		4 of 4	