

REVISION HISTORY

SCH REV	PCB REV	ECO NO.	DATE	COMMENT
- 1.0	- 1.0	-	4/26/99	INITIAL
1.0.1	1.0	8694	8/10/99	SEE ECN
1.0.2	1.0	8738	8/31/99	SEE ECN

NOTES:

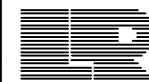
UNLESS OTHERWISE SPECIFIED:

1. ALL RESISTOR VALUES ARE IN OHMS
2. ALL RESISTORS ARE 1/4 WATT 5% OR BETTER
3. CAPACITOR VALUES ARE IN PICO FARADS
4. ALL NON POLARIZED CAPACITORS ARE 50V OR BETTER
VALUES BELOW 470pF ARE NPO/COG TYPE 5%
VALUES 470pF TO 1000pF ARE X7R 10%
VALUES ABOVE 1000pF ARE Z5U +/- 20 %
5. ALL POLARIZED CAPACITORS ARE 20% OR BETTER
6. ALL DIODES ARE 1N4148

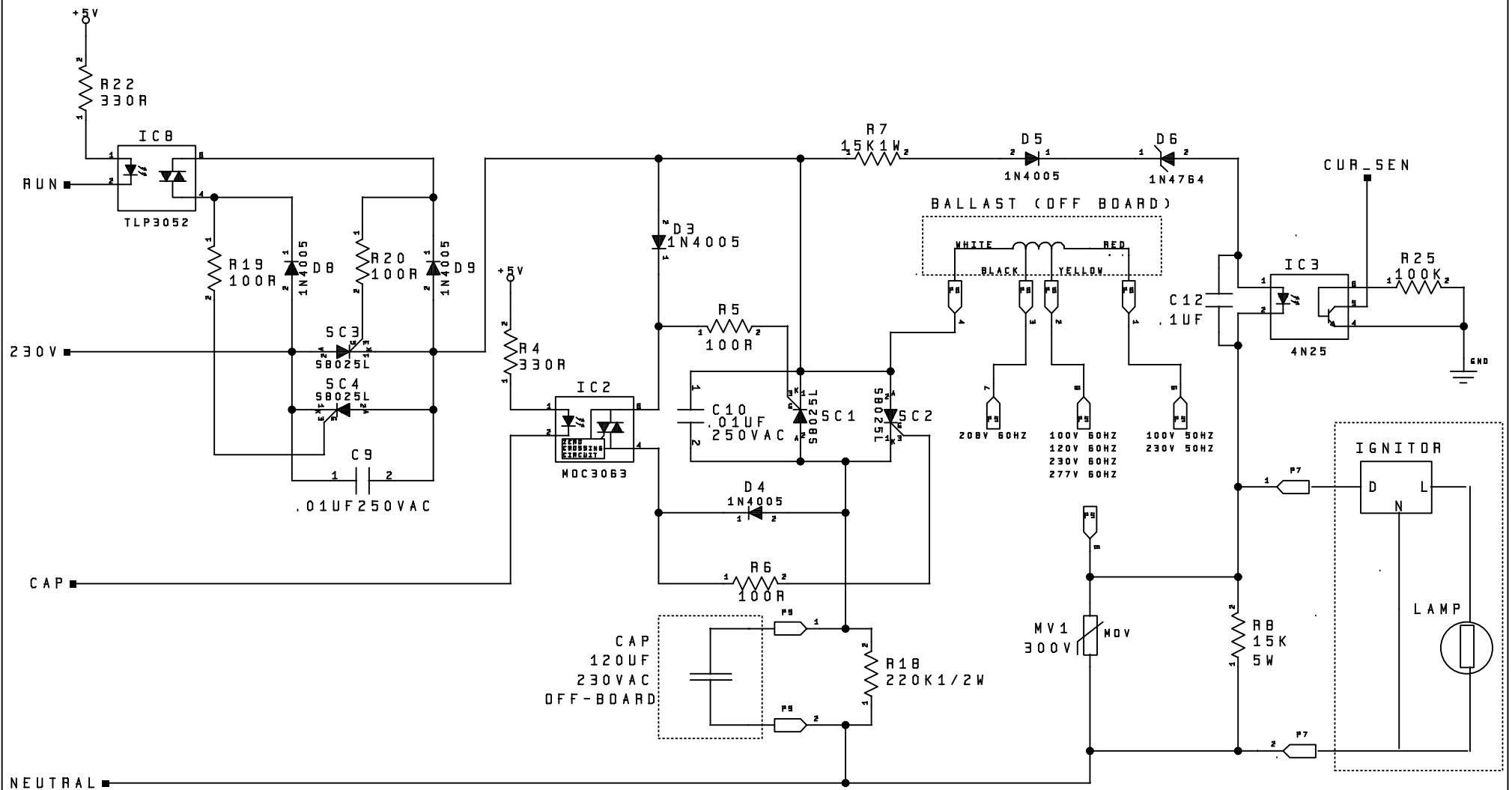
Copyright (c) 1994-1999 High End Systems, Inc. All rights reserved worldwide.

EC1, ES1, Lightwave Research, the Lightwave Research logo, High End Systems and the High End Systems logo are registered trademarks of High End Systems, Inc. Trademarks and trade names of others may be used in this document to refer to either such other entities or to their products. High End Systems Inc. disclaims any proprietary interest or connection to such marks or entities.

HIGH END SYSTEMS INC.			
Title:		EC1/ES1 POWER SUPPLY	
Function:		COVER SHEET	104102
Drawing No.	REV.	Designed:	STEVE TULK
SCH-99030104	1.0.2	Approved:	
Drawn:	MYERS	Date:	8-31-1999-10-28
Size:	A2	Page:	1 of 4



NOTE: ALL PARTS INSIDE DOTTED OUT LINES ARE NOT ON THIS BOARD.

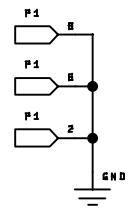
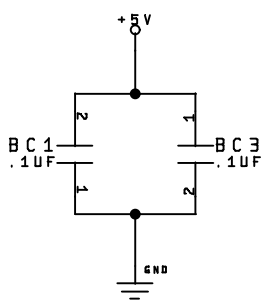
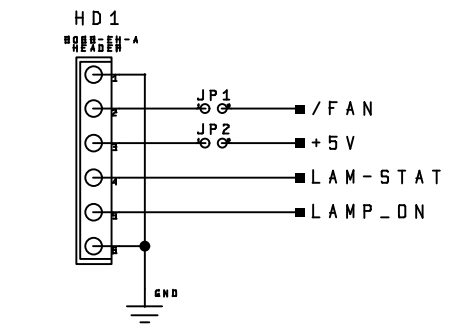
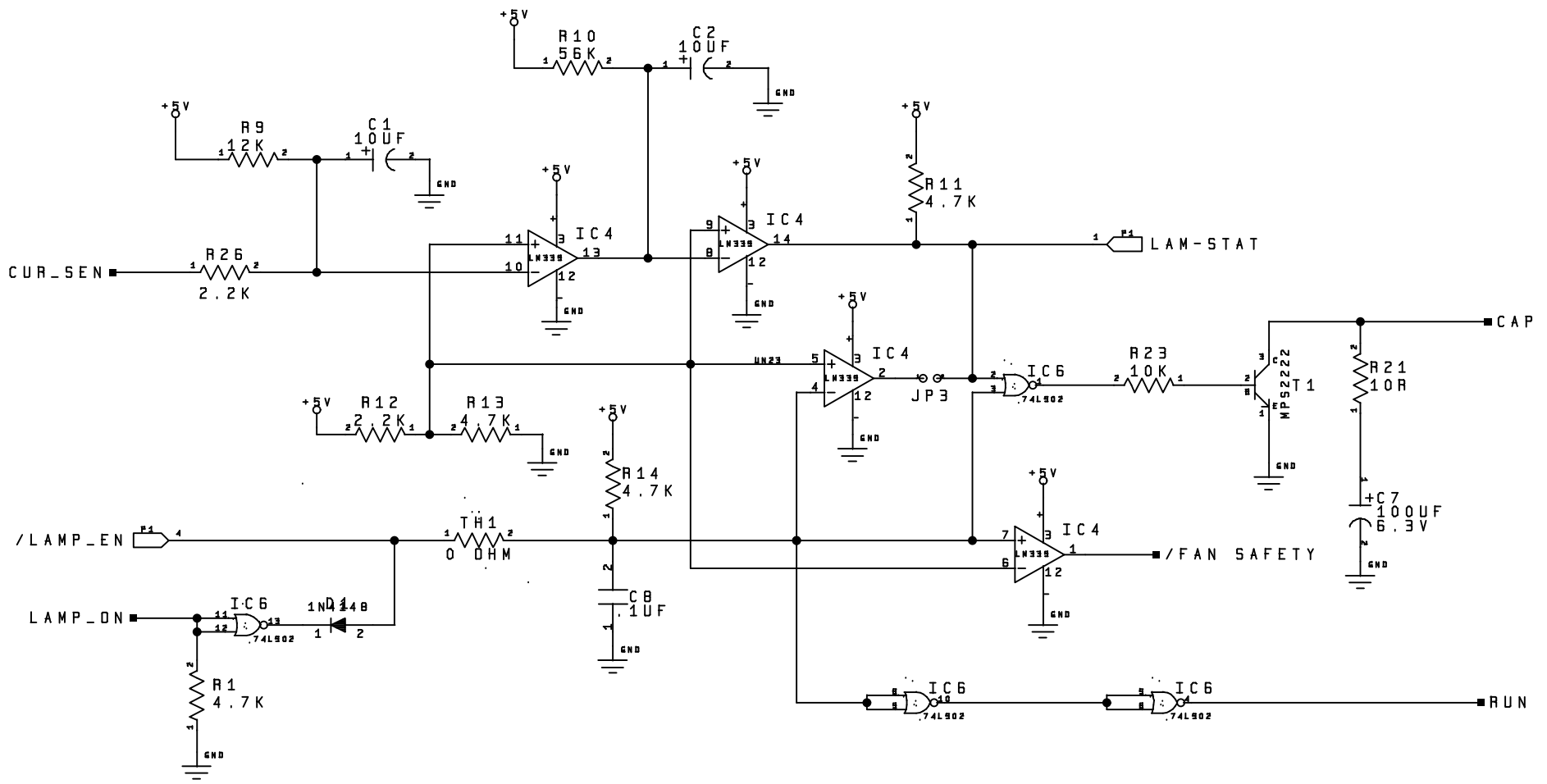


HIGH END SYSTEMS INC.

Title: EC1/ES1 POWER SUPPLY
 Function: 104102



Drawing No. SCH-99030104 REV. 1.0.2 Date 8-31-1999.10.27
 Size A2 Page 2 of 4

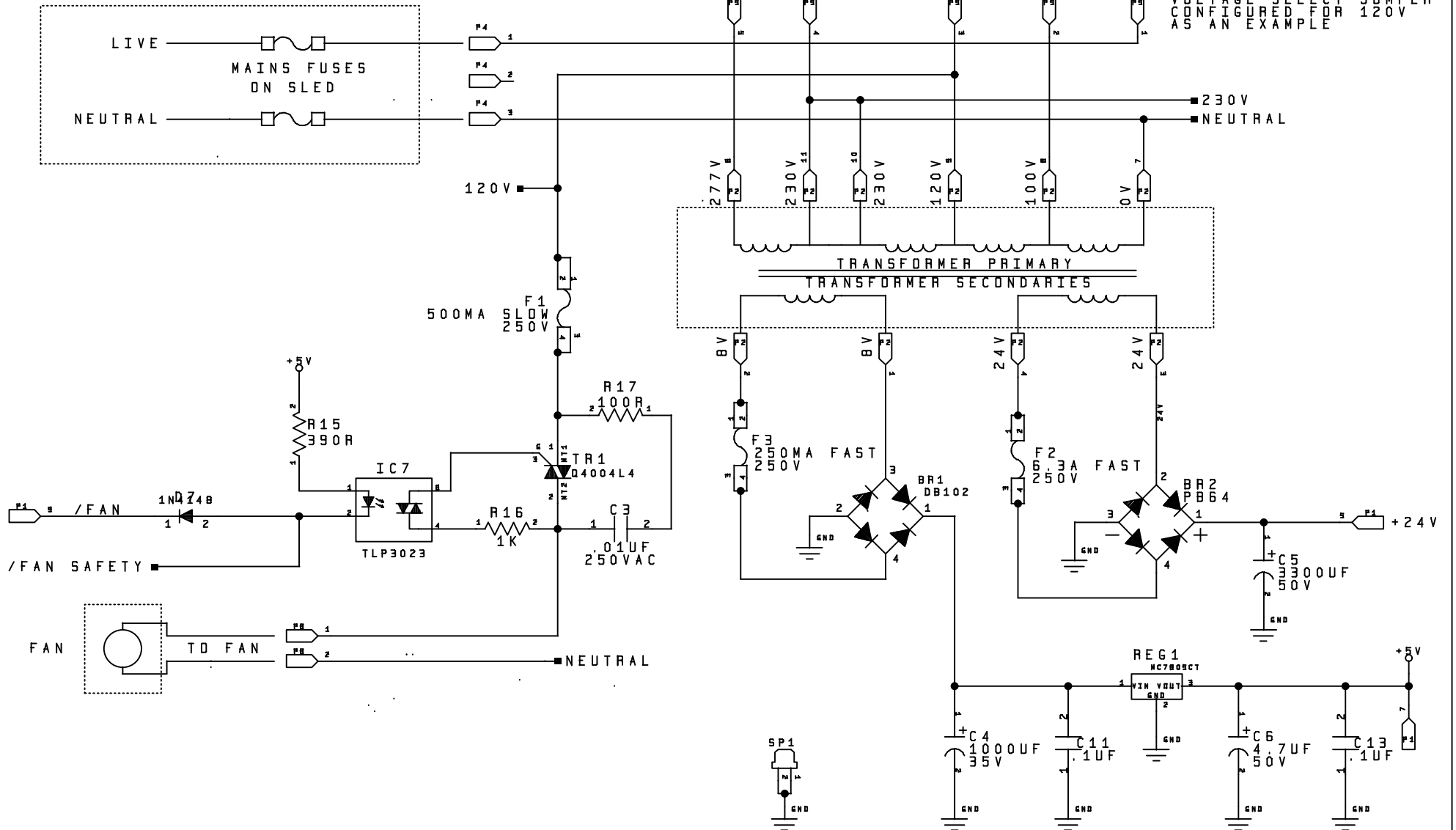


HIGH END SYSTEMS INC.			
Title:		EC1/ES1 POWER SUPPLY	
Function:		104102	
Drawing No.	REV.	Size	Date
SCH-99030104	1.0.2	A2	8-31-1999-10:27
			Page 3 of 4



VOLTAGE SELECT

DOTTED LINE REPRESENTS
VOLTAGE SELECT JUMPER
CONFIGURED FOR 120V
AS AN EXAMPLE



HIGH END SYSTEMS INC.			
Title:		EC1/ES1 POWER SUPPLY	
Function:		104102	
Drawing No.	REV.	Size	Date
SCH-99030104	1.0.2	A2	8-31-1999.10.27
			Page 4 of 4