

REVISION HISTORY

SCH REV	PCB REV	ECO NO.	DATE	COMMENT
2.0	2.0	N/A		V MULT CHANGE
2.1	2.1	N/A		SILK SCREEN CHANGE
2.2	2.2	N/A		
2.3	2.2	6378	6-27-97	COMPONANT CHANGE
2.3.1	2.2	7840	5-4-98	ADDED SOCKET
2.3.2	2.2	8612	6-10-99	BOM CHANGE
2.3.4	2.2	1089	9-20-02	Change temp sensor to B0040028 circuit

NOTES:

UNLESS OTHERWISE SPECIFIED:

1. ALL RESISTOR VALUES ARE IN OHMS
2. ALL RESISTORS ARE 1/4 WATT 5% OR BETTER
3. CAPACITOR VALUES ARE IN PICO FARADS
4. ALL NON POLARIZED CAPACITORS ARE 50V OR BETTER  
 VALUES BELOW 470pF ARE NPO/COG TYPE 5%  
 VALUES 470pF TO 1000pF ARE X7R 10%  
 VALUES ABOVE 1000pF ARE Z5U +/- 20 %
5. ALL POLARIZED CAPACITORS ARE 20% OR BETTER
6. ALL DIODES ARE 1N4148

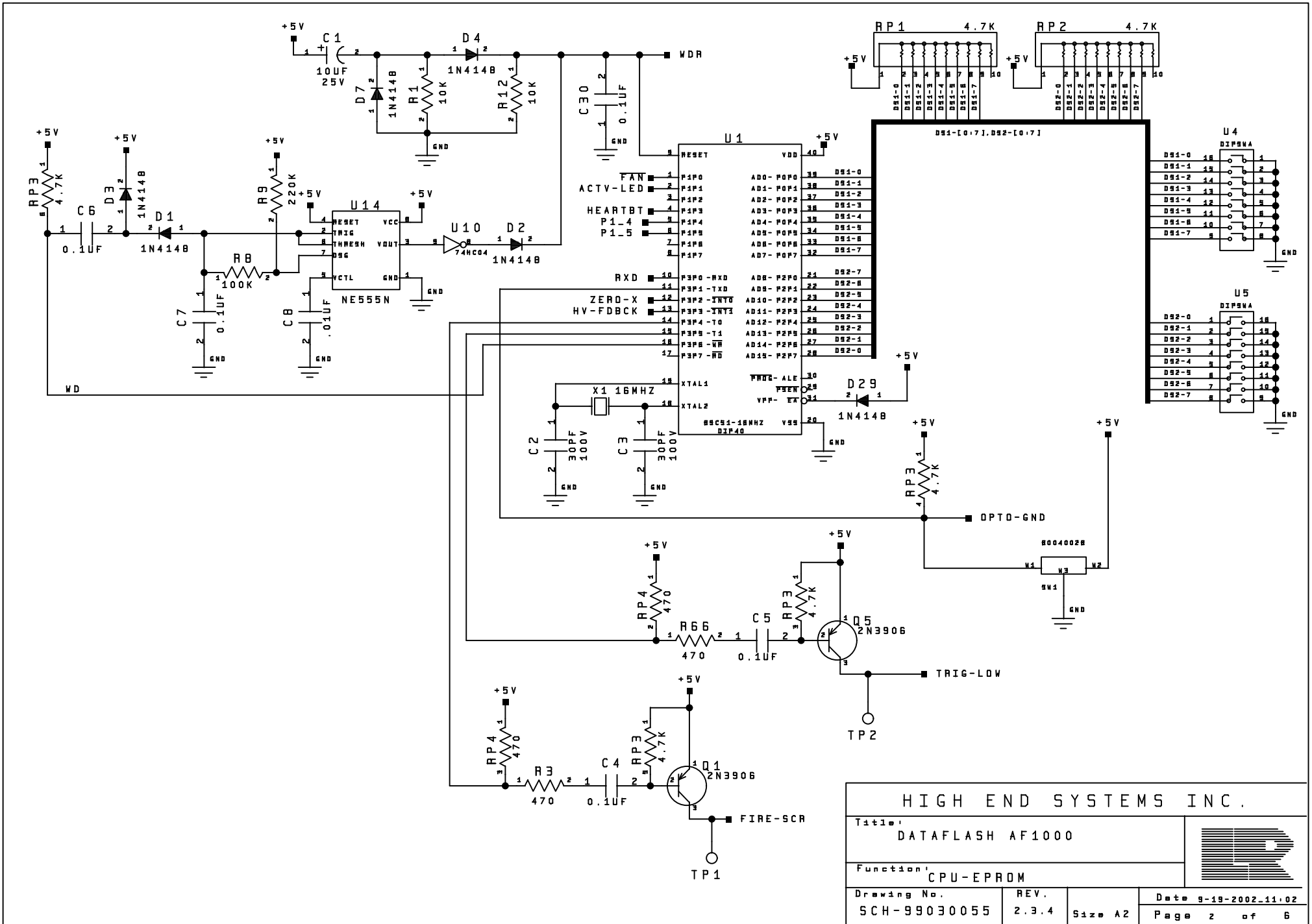
A F 1 0 0 0

Copyright (c) 1994-1998 High End Systems, Inc. All rights reserved worldwide.

Dataflash, Lightwave Research, the Lightwave Research logo, High End Systems and the High End Systems logo are registered trademarks of High End Systems, Inc. Trademarks and trade names of others may be used in this document to refer to either such other entities or to their products. High End Systems Inc. disclaims any proprietary interest or connection to such marks or entities.

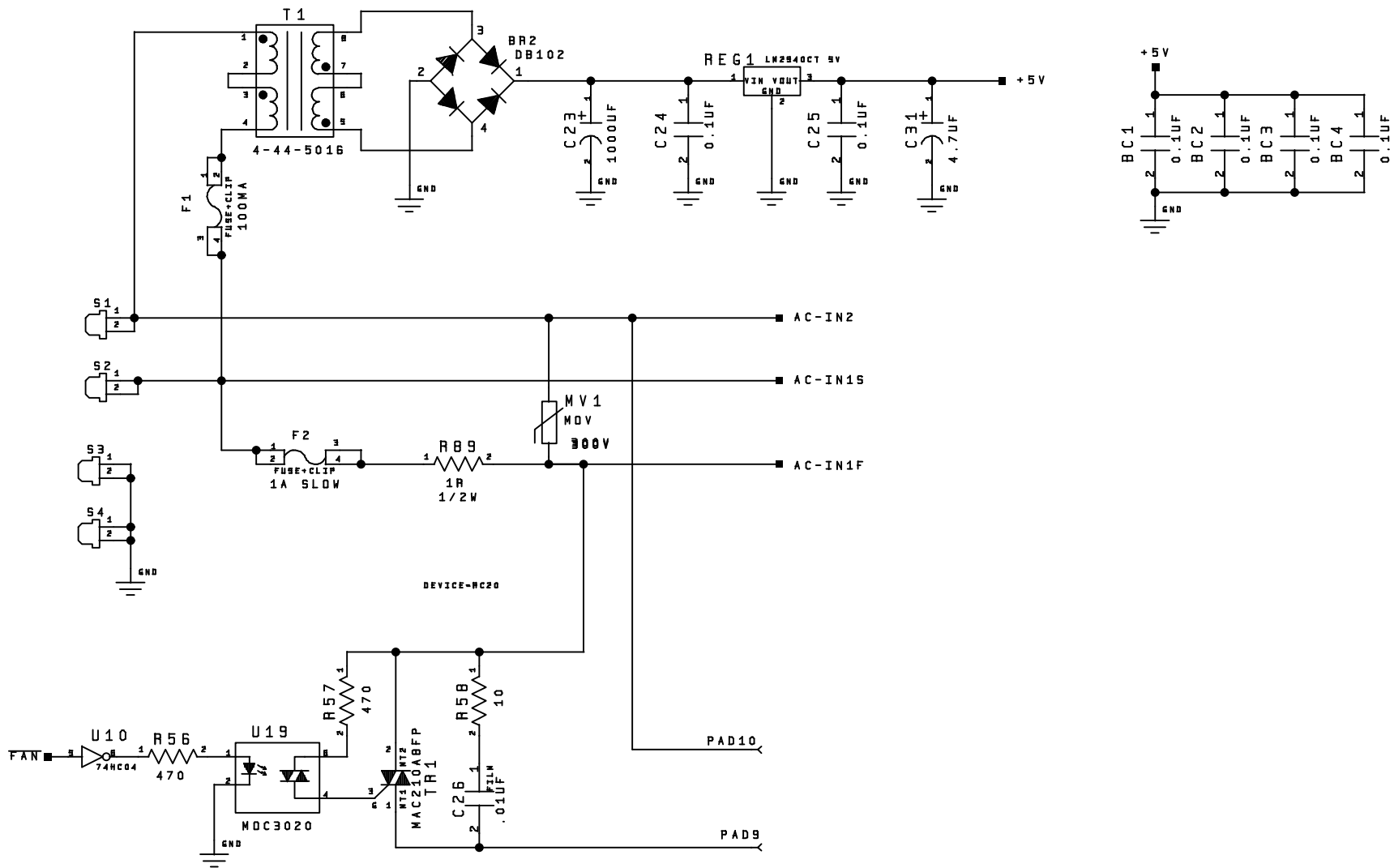
HIGH END SYSTEMS INC.			
Title:		DATAFLASH AF1000	
Function:		COVER SHEET	
Drawing No.	REV.	Designed:	
SCH-99030055	2.3.4	STEVE T.	
Drawn:		Approved:	
K. Carver			
Dtg-19-2002-11.25	Size A2	Page	1 of 6





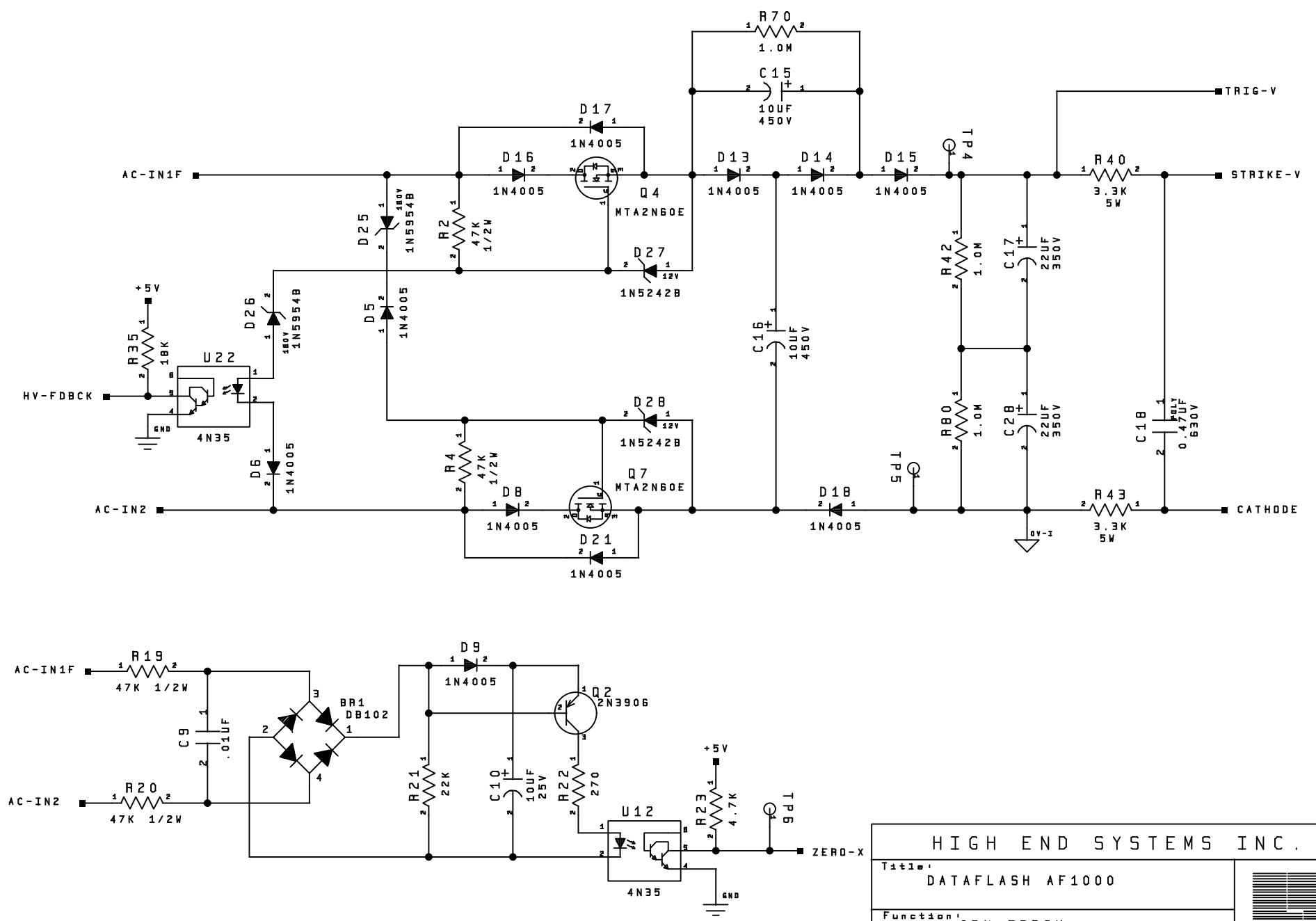
HIGH END SYSTEMS INC.			
Title:		DATAFLASH AF1000	
Function:		CPU-EPROM	
Drawing No.	REV.	Size	Date
SCH-99030055	2.3.4	A2	9-19-2002.11.02
			Page 2 of 6





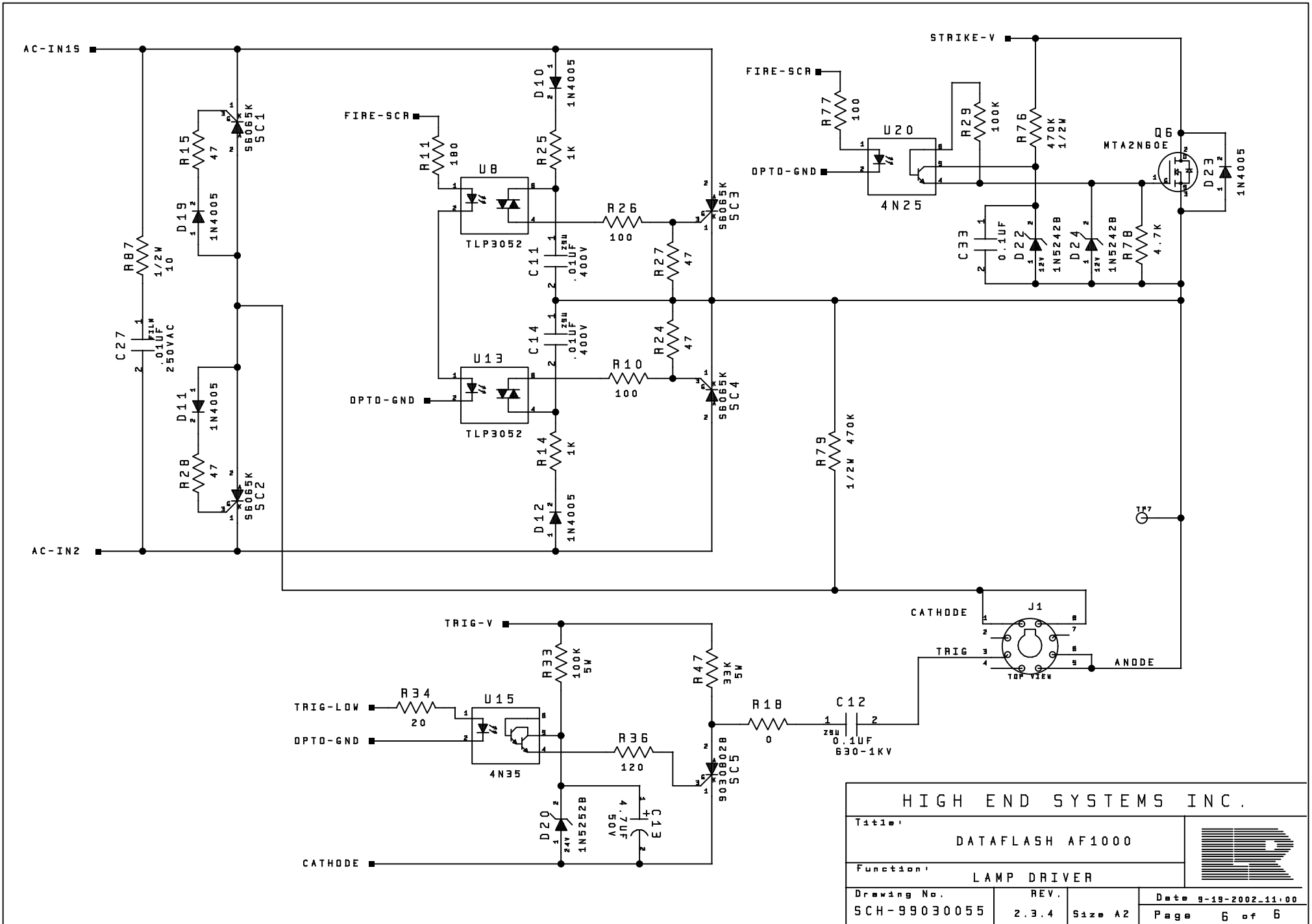
NOTE:  
 NOT INSTALLED: C26, R56, R57, R58, TR1, U19

HIGH END SYSTEMS INC.			
Title: DATAFLASH AF1000			
Function: POWER SUPPLY			
Drawing No. SCH-99030055	REV. 2.3.4	Size A2	Date 9-19-2002.11.00
			Page 4 of 6



HIGH END SYSTEMS INC.			
Title:		DATAFLASH AF1000	
Function:		CPU-EPR0M	
Drawing No.	REV.	Size	Date
SCH-99030055	2.3.4	A2	9-19-2002-11.00
			Page 5 of 6





HIGH END SYSTEMS INC.			
Title:		DATAFLASH AF1000	
Function:		LAMP DRIVER	
Drawing No.	REV.	Size	Date
SCH-99030055	2.3.4	A2	9-19-2002.11.00
			Page 6 of 6