

## MECHANICAL SPECIFICATIONS

**Dimensions:**  
mm: 594 x 690 x 950  
in: 23.4 x 24.8 x 38.4

**Weight:**  
63.5 kg (140 lbs)

**Mounting Information:** The DL.3F fixture can be truss mounted using 1/4 turn camlock c-clamp mounting brackets provided. It can also stand upright on a stable surface.

**Colors Available:** Black

## ELECTRICAL/LAMP SPECIFICATIONS

**Input ratings:** 100–120V 7.0A maximum 50/60Hz,  
200–240V 3.5A 50/60Hz

**Power factor:** 0.94

**Fuse:** Power supply output fuse: 5A, 250V slow blow only.

**Lamp:** 330W NSH

**Light Output:** 7000 ANSI lumens

**Rated Lamp Life:** 2000 hours

## COMPUTER

**Processor:** Intel Core i7-3770

**Memory:** 4 GB DDR3 RAM

**Hard drive:** 1 TB Western Digital SATA

**Video Card:** AMD Radeon: HD5770

**Operating System:** Windows XP embedded

## PROJECTOR

**Model:** Sanyo PLC-XP200L

**Aspect ratio:** 4:3 native

**Brightness uniformity:** 90%

**Contrast ratio:** 2000:1 full on/full off

**Vertical Lens Shift:** 107%

## OPERATION

**Pan:** 400° **Tilt:** 240°

**Movement Accuracy:** Pan and Tilt from the same direction to the programmed point within approximately .01°.

**Control Options:** DMX512, Art-Net

**Minimum Focus Distance:** 1.4 meters (4.6 ft)

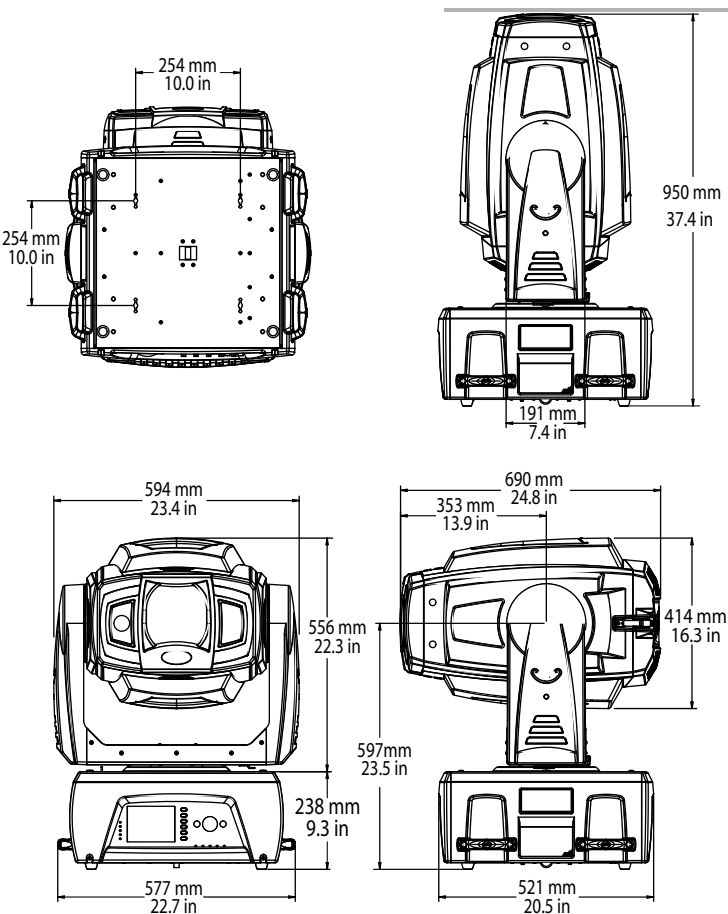
**Compliances:** CE, CSA, ETL

**Video Connectors:** RGBHV—BNC x 5, VGA—DB15

## PART NUMBERS

### Fixture

68010001: DL3 fixture, Black



**Display technology:** 1.3" TFT Poly-S: x3/Color Control x1

**Panel resolution:** 1024 x 768

**Standard Zoom Lens Throw Ratio:** 1.8 - 2.4:1

**Accessory Long Zoom Lens Throw Ratio:** 2.4-4.3:1

**Accessory Ultra Long Zoom Lens Throw Ratio:** 4.3-6.0:1

**Accessory Wide Angle Zoom Lens Throw Ratio:** 1.3-1.8:1

**Peripheral/Network Connectors:** 2 USB ports, Gigabit Ethernet

**DMX Connectors:** 5-pin male and female XLR connectors

**Scanning Frequency:** H-sync. = 15 – 100 KHz, V-sync. = 50 – 100 Hz

**Horizontal Resolution:** 800 TV lines (HDTV)

**Environmental Tolerances:**

Ambient Operating Temperature Range: 5°–40°C (40°–104° F)

Humidity: 20%–80% (non-condensing)

### Accessories

55030085EF: Replacement Lamp

67060002: Long Zoom Lens kit

67060001: Ultra Long Zoom Lens kit

68060003: Wide Angle Zoom Lens kit

# DMX CHANNELS (Version 2.0)

Motion Parameters	DMX Chan	Global Parameters	DMX Chan	Graphic Object Parameters	DMX Chan									
					Obj1	Obj2	Obj3	Obj4	Obj5	Obj6	Obj7	Obj8	Obj9	
Pan	1	Global Intensity	22	Opacity	77	122	167	212	257	302	347	392	437	
	2	Global Effect 1	23	3-D Object File	78	123	168	213	258	303	348	393	438	
Tilt	3	Global Effect 1 Modifier 1	24	Media Folder	79	124	169	214	259	304	349	394	439	
	4	Global Effect 1 Modifier 2	25	Media file	80	125	170	215	260	305	350	395	440	
Dimmer	5	Global Effect 1 Modifier 3	26	In frame	81	126	171	216	261	306	351	396	441	
Focus	6	Global Effect 2	27		82	127	172	217	262	307	352	397	442	
Zoom	7	Global Effect 2 Modifier 1	28	Out frame	83	128	173	218	263	308	353	398	443	
Mspeed	8	Global Effect 2 Modifier 2	29		84	129	174	219	264	309	354	399	444	
Macro	9	Global Effect 2 Modifier 3	30	Play mode	85	130	175	220	265	310	355	400	445	
Control	10	Global Effect 3	31	Play speed	86	131	176	221	266	311	356	401	446	
Reserved	11	Global Effect 3 Modifier 1	32	Sync Mode	87	132	177	222	267	312	357	402	447	
	12	Global Effect 3 Modifier 2	33	Sync To	88	133	178	223	268	313	358	403	448	
	13	Global Effect 3 Modifier 3	34	Visual mode	89	134	179	224	269	314	359	404	449	
	14	Global Effect 4	35	Visual Mode Modifier 1	90	135	180	225	270	315	360	405	450	
	15	Global Effect 4 Modifier 1	36	Visual Mode Modifier 2	91	136	181	226	271	316	361	406	451	
	16	Global Effect 4 Modifier 2	37	Graphic Effect 1	92	137	182	227	272	317	362	407	452	
	17	Global Effect 4 Modifier 3	38	Effect 1 Modifier 1	93	138	183	228	273	318	363	408	453	
	18	Global Effect 5	39	Effect 1 Modifier 2	94	139	184	229	274	319	364	409	454	
	19	Global Effect 5 Modifier 1	40	Effect 1 Modifier 3	95	140	185	230	275	320	365	410	455	
	20	Global Effect 5 Modifier 2	41	Graphic Effect 2	96	141	186	231	276	321	366	411	456	
			Global Effect 5 Modifier 3	42	Effect 2 Modifier 1	97	142	187	232	277	322	367	412	457
			Mask Select (default iris)	43	Effect 2 Modifier 2	98	143	188	233	278	323	368	413	458
			Mask Size	44	Effect 2 Modifier 3	99	144	189	234	279	324	369	414	459
			Mask Edge	45	Graphic Effect 3	100	145	190	235	280	325	370	415	460
			Edge Fade Top	46	Effect 3 Modifier 1	101	146	191	236	281	326	371	416	461
			Edge Fade Right	47	Effect 3 Modifier 2	102	147	192	237	282	327	372	417	462
			Edge Fade Bottom	48	Effect 3 Modifier 3	103	148	193	238	283	328	373	418	463
			Edge Fade Left	49	X-axis rotation	104	149	194	239	284	329	374	419	464
			Keystone Top Left X	50		105	150	195	240	285	330	375	420	465
			Keystone Top Left Y	51	Y -axis rotation	106	151	196	241	286	331	376	421	466
		Keystone Top Right X	52	107		152	197	242	287	332	377	422	467	
		Keystone Top Right Y	53	Z-axis rotation	108	153	198	243	288	333	378	423	468	
		Keystone Bottom Right X	54		109	154	199	244	289	334	379	424	469	
		Keystone Bottom Right Y	55	Scale X	110	155	200	245	290	335	380	425	470	
		Keystone Bottom Left X	56		111	156	201	246	291	336	381	426	471	
		Keystone Bottom Left Y	57	Scale Y	112	157	202	247	292	337	382	427	472	
		Keystone X Ratio	58		113	158	203	248	293	338	383	428	473	
		Keystone Y Ratio	59	Scale Z	114	159	204	249	294	339	384	429	474	
		Framing Top Left X	60		115	160	205	250	295	340	385	430	475	
		Framing Top Left Y	61	X Position	116	161	206	251	296	341	386	431	476	
		Framing Top Right X	61		117	162	207	252	297	342	387	432	477	
		Framing Top Right Y	63	Y Position	118	163	208	253	298	343	388	433	478	
		Framing Bottom Right X	64		119	164	209	254	299	344	389	434	479	
		Framing Bottom Right Y	65	Z Position	120	165	210	255	300	345	390	435	480	
		Framing Bottom Left X	66		121	166	211	256	301	346	391	436	481	
		Framing Bottom Left Y	67											
		Viewpoint mode	68											
		Viewpoint Position X	69											
			70											
		Viewpoint Position Y	71											
			72											
		Viewpoint Position Z	73											
			74											
		Global Control	75											
		Global Control Modifier	76											



**HIGH END SYSTEMS**

**High End Systems**

2105 Gracy Farms Lane  
Austin, TX 89858 USA

voice: 512.836.2242  
fax: 512.837.5290  
Toll Free: 800.890.8989

**Customer Service**

2105 Gracy Farms Lane  
Austin, TX 89858 USA

voice: 800.890.8989  
fax: 512.834.9195  
Toll free: 800.890.8989