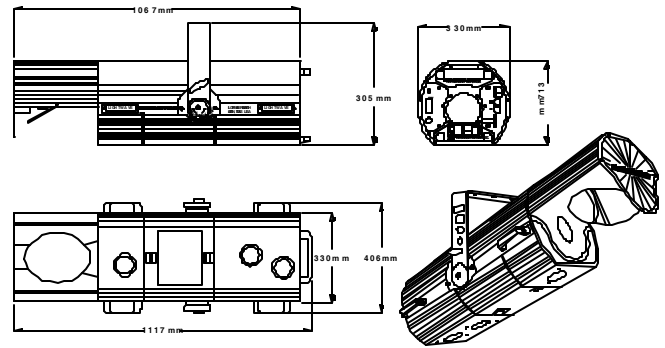


## MECHANICAL SPECIFICATIONS

### DIMENSIONS

FIXTURE		BOXED FOR SHIPPING	
in:	12.5 x 13.0 x 44.0	in:	21 x 23 x 50
mm:	317 x 330 x 1117	mm:	531 x 582 x 1265
Weight:	46 kg (101 lb)	Weight:	50 kg (110 lb)



### Mounting Information

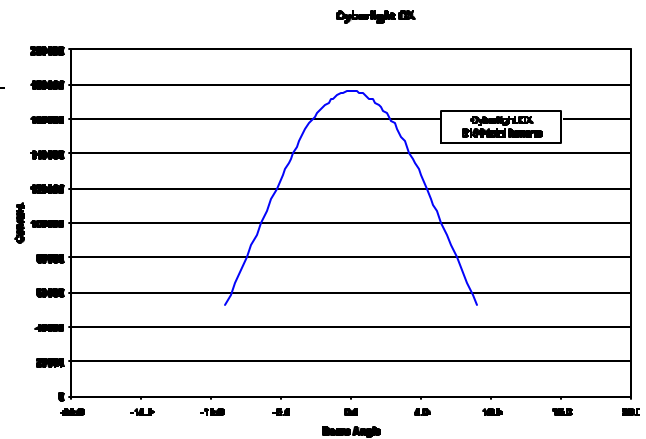
Cyberlight CX may be mounted by attaching suitable clamps with locking washers through the holes on top of the yoke. Cheeseborough truss clamps and 1/2" nut/bolt sets may be purchased separately. Cyberlight CX can also be stood on its end handles on a sturdy, stable surface.

Colors Available : Black

## ELECTRICAL SPECIFICATIONS / LIGHT SOURCE

Lamp	MSR 1200/2
Power Consumption	205V 50Hz @ 6.3A 230V 50Hz @ 6.3A 240V 50Hz @ 6.3A 208V 60Hz @ 6.3A 230V 60Hz @ 6.3A
Rated Power	1300W
Power Factor	230V, 50HZ: 0.85 208V, 60HZ: 0.97
Light Output	8000 ANSI lumens
Lamp Life	800 hours
Color temperature	6200K

	Center Beam Candela	Beam Angle Degrees	Field Angle Degrees
	176,000	15	18
Throw	Center Beam	Beam Diameter	Field Diameter
5	7,040	1.3	1.6
10	1,760	2.6	3.2
15	782	3.9	4.8
20	440	5.3	6.3
25	282	6.6	7.9
30	196	7.9	9.5
35	144	9.2	11.1
40	110	10.5	12.7
45	87	11.8	14.3
50	70	13.2	15.8
55	58	14.5	17.4
60	49	15.8	19.0
65	42	17.1	20.6
70	36	18.4	22.2
75	31	19.7	23.8
80	28	21.1	25.3
85	24	22.4	26.9
90	22	23.7	28.5
95	20	25.0	30.1
100	18	26.3	31.7



For Metric figures, read "Center Beam" values as in lux, and the throw and diameters will be in meters.  
For US figures, read "Center Beam" values as in footcandles, and the throw and diameters will be in feet.

$$\text{Illuminance} = \frac{\text{Candela}}{\text{Distance}^2}$$

## OPERATION

Pan: 170° Tilt: 110°  
Field Angle: 12°, 14°, and 18° (selectable)

Control Options: DMX-512, Lightwave Research Protocol  
Address Methods: Dipswitches

Software Upgrades Operating software may be uploaded using a Cyberlight Upload Module or a Status Cue.

Compliances Cyberlight CX is CE, ETC, and ETL compliant.

DMX Connectors 3-pin male and female XLR connectors

Environmental Specifications  
 Maximum Ambient temperature: 50°C (122°F)  
 Maximum exterior surface temperature: 62°C (144°F)  
 Minimum distance to lighted object: 1.0m (3.28 ft)  
 Maximum distance to flammable objects: 1.0m (3.28 ft)  
 Maximum winding temperature, Tw: 180°C (356°F)  
 Maximum capacitor temperature, Tc: 85°C (185°F)

## PART NUMBERS

**Fixtures**  
 20010005 - Cyberlight CX Automated Luminaire – Litho, w/Lamp, 208V/60HZ  
 20010006 - Cyberlight CX Automated Luminaire – Litho, w/Lamp, 230V/50HZ  
 20010007 - Cyberlight CX Automated Luminaire – Litho, w/Lamp, 240V/50HZ  
 20010008 - Cyberlight CX Automated Luminaire – Litho, w/Lamp, 205V/50HZ or 230/60HZ

**Controllers**  
 19020002 - Cyberlight LCD Controller w/RA M Card

**Accessories**  
 19040002 - Cyberlight Turbo Conversion Package for Cyberlight Automated Luminaire  
 55040012 - Cyberlight Narrow Angle Lens Assembly  
 55040004 - Cyberlight Tabbed Replaceable Gobo Wheel  
 55040005 - Cyberlight Touring Yoke Kit

**Flight Cases**  
 19070001 - Road Case, Cyberlight, Single Fixture  
 19070002 - Road Case, Cyberlight, Dual Fixtures

**Lamps**  
 55030047 - Cyberlight Replacement Lamp, Philips MSR 1200-2  
 55030053 - Cyberlight Replacement Lamp, Philips MS D 1200

## DMX CHANNELS

### \*Standard / Enhanced Control

1	Pan Coarse	11	Litho Rotate
2	Pan Fine	12	Zoom
3	Tilt Coarse	13	Focus
4	Tilt Fine	14	Iris
5	Color Wheel	15	Effects Wheel
6	Cyan	16	Frost
7	Magenta	17	Shutter
8	Yellow	18	Dim
9	Static Litho	19	Motor Speed
10	Rotate	20	Control

### 15 Channel Control

1	Pan Coarse	9	Focus
2	Pan Fine	10	Iris
3	Tilt Coarse	11	Effects Wheel
4	Tilt Fine	12	Shutter
5	Color Wheel	13	Dim
6	Static Litho	14	Motor Speed
7	Rotating Litho	15	Control
8	Rotate		

\*Standard Control allows Motor Speed control over pan and tilt functions. Enhanced Control allows Motor Speed control over color, lithos and effects. Cyberlight CX fixtures configured for 20 channel mode do not respond to color mixing, zoom, or variable frost effects.

DMX Channels: 20 Fixtures per Universe: 25

DMX Channels: 15 Fixtures per Universe: 34

## COLOR WHEEL

Position	Description	Replaceable
1	Open	No
2	Indigo	Yes
3	Medium Blue	Yes
4	Aqua	Yes
5	Green	Yes
6	Magenta	Yes
7	Yellow	Yes
8	Red	Yes

Dichroic Glass Diameter: 1.745 in ± 0.010 in (44.323 mm ± 0.25 mm)

Thickness: 0.069 in (1.75 mm)

## EFFECTS WHEEL

### Effects Wheel 1: Replaceable

Position	Description	Replaceable
1	Prism	No
2	Tri-color Mosaic	No
3	Yellow Color Corrector	No
4	Open	No
5	Magenta Color Corrector	No
6	Wide Angle	No
7	Diffusion	No
8	Cyan Color Corrector	No

Effects Glass Diameter: 2.060 in ± 0.010 in (52.32 mm ± 0.25 mm)

Thickness: 0.069 in (1.75 mm)

## LITHO WHEEL

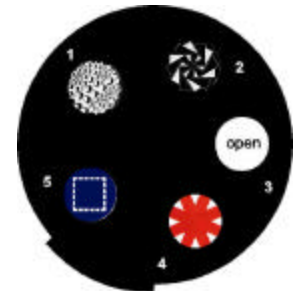
### Litho Wheel 1: Static

Position	Description	Replaceable
1	Open	No
2	Beveled Star	Yes
3	Indigo Spin	Yes
4	Groovy	Yes
5	Tunnel	Yes
6	Indigo Dots	Yes
7	Network	Yes
8	Sharp Burst	Yes



### Litho Wheel 2: Rotating, Indexable

Position	Description	Replaceable
1	Droplets	Yes
2	Paper Stack	Yes
3	Open	No
4	Red Wedge	Yes
5	Indigo Square	Yes



Lithopatterns Diameter: 1.745 in ± 0.010 in (44.323 mm ± 0.25 mm)  
 Thickness: 0.069 in (1.75 mm)  
 Image Area: 1.465 in (37.21 mm)