

REVISION HISTORY

SCH REV	PCB REV	ECO NO.	DATE	COMMENT
3.0	3.0	-		CHANGE CAD SYSTEMS AND MAKE TUV

NOTES :

UNLESS OTHERWISE SPECIFIED:

1. ALL RESISTOR VALUES ARE IN OHMS
2. ALL RESISTORS ARE 1/4 WATT 5% OR BETTER
3. CAPACITORS VALUES ARE IN PICO FARADS
4. ALL NON POLARIZED CAPACITORS ARE 50V OR BETTER
VALUES BELOW 470pF ARE NP0/COG TYPE 5%
VALUES 470pF TO 1000pF ARE X7R 10%
VALUES ABOVE 1000pF ARE Z5U +/- 20 %
5. ALL POLARIZED CAPACITORS ARE 20% OR BETTER
6. ALL DIODES ARE 1N4148

PROPRIETY NOTICE

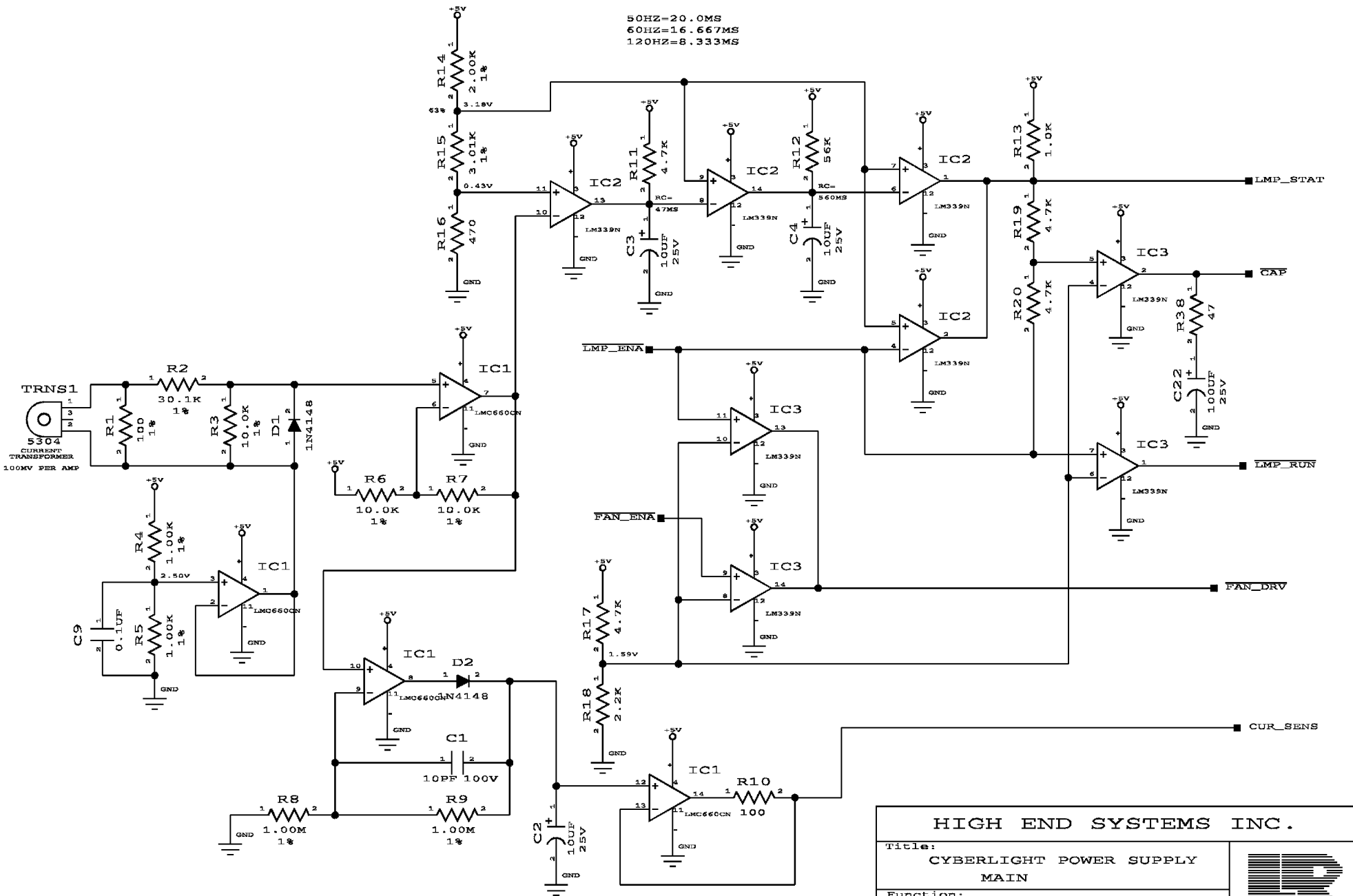
This document contains confidential and proprietary information of High End Systems, Inc., (also dba Lightwave Research) and is given to the receiver in confidence. The receiver accepts and agrees that, except as authorized by High End Systems, the receiver will not use or permit the use of the document or any copy thereof or the information therein, will not copy or permit copying the document, will not disclose to others either the document or the information therein, and will upon completion of the need to retain the document, or upon demand, return the document without retaining any of the information therein in any form whatsoever.

Copyright © 1994 High end systems, Inc.

HIGH END SYSTEMS INC.			
Title:		CYBERLIGHT POWER SUPPLY	
		MAIN	
Function:		COVER SHEET	050R31
Drawing No.	REV.	Designed:	
99030050SCH	3.1	DESIGNER	
Drawn: BOON S.		Approved:	
Date	Size	Page	of N
11-13-1995_13:48	A2	1	N

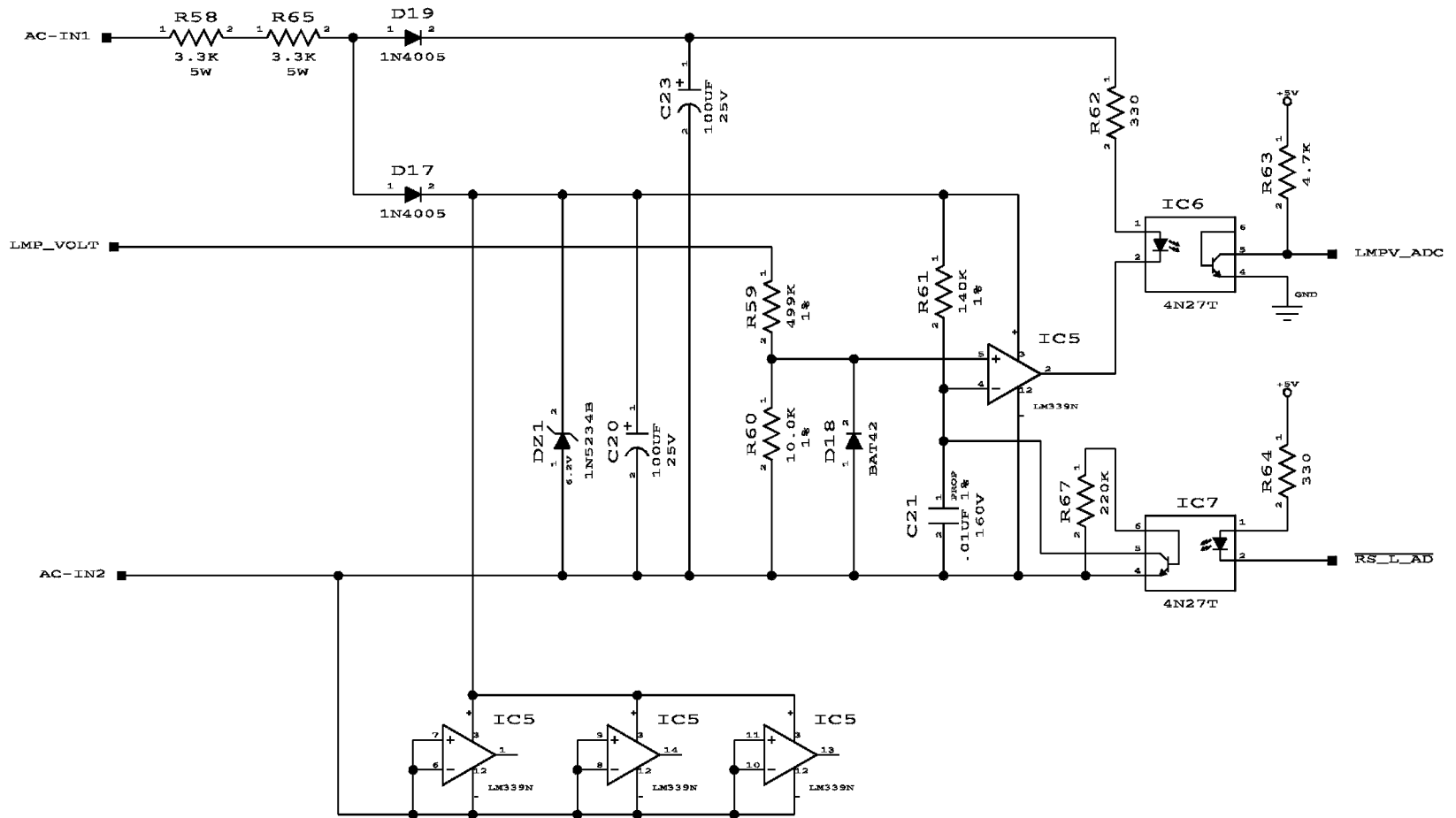


50HZ=20.0MS
 60HZ=16.667MS
 120HZ=8.333MS



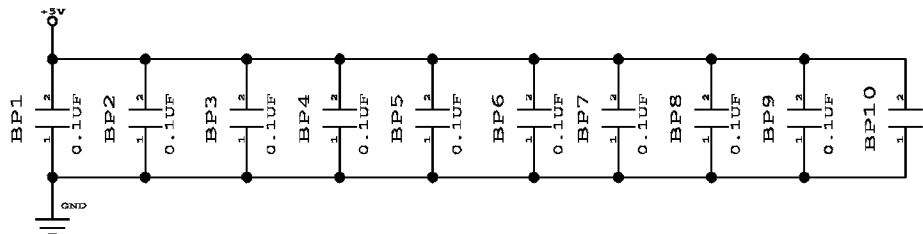
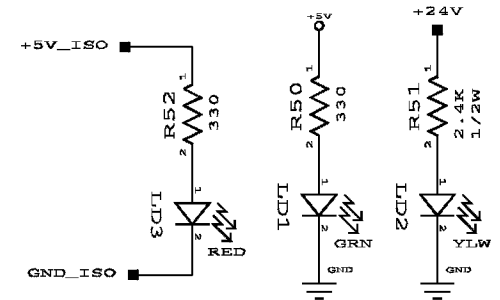
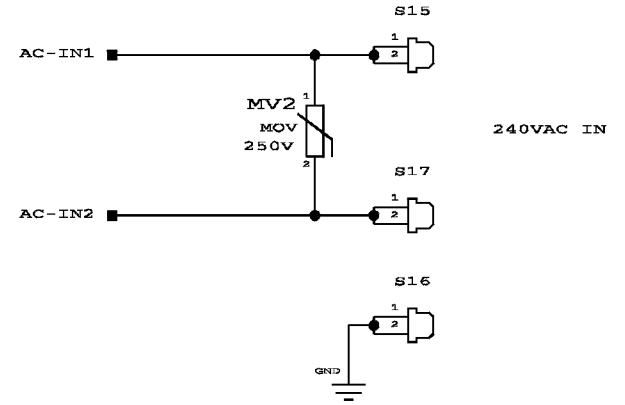
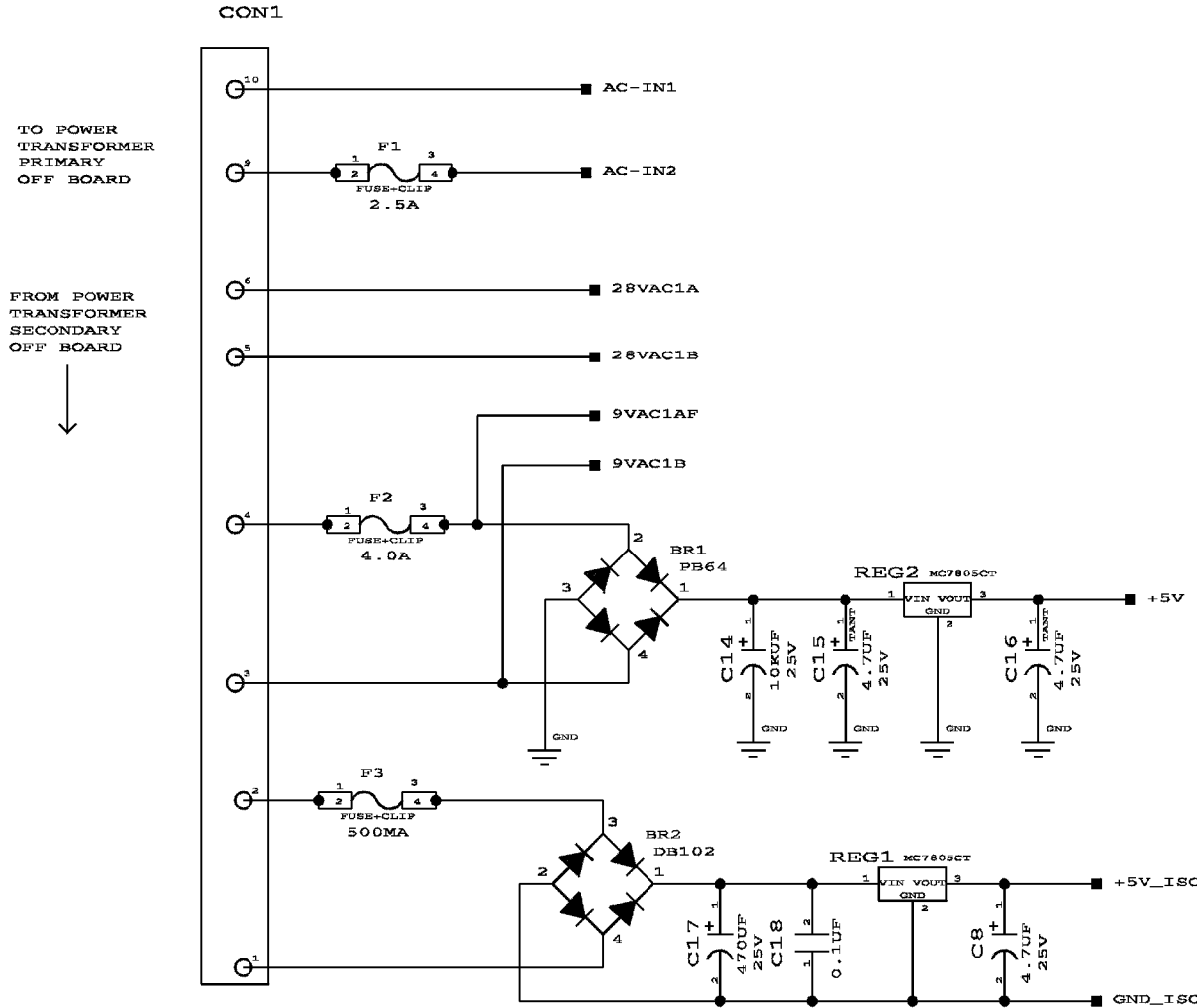
HIGH END SYSTEMS INC.

Title: CYBERLIGHT POWER SUPPLY MAIN		
Function: LAMP CONTROL		
Drawing No. 99030050SCH	REV. 3.1	Date 11-13-1995_13:50 Page 3 of N



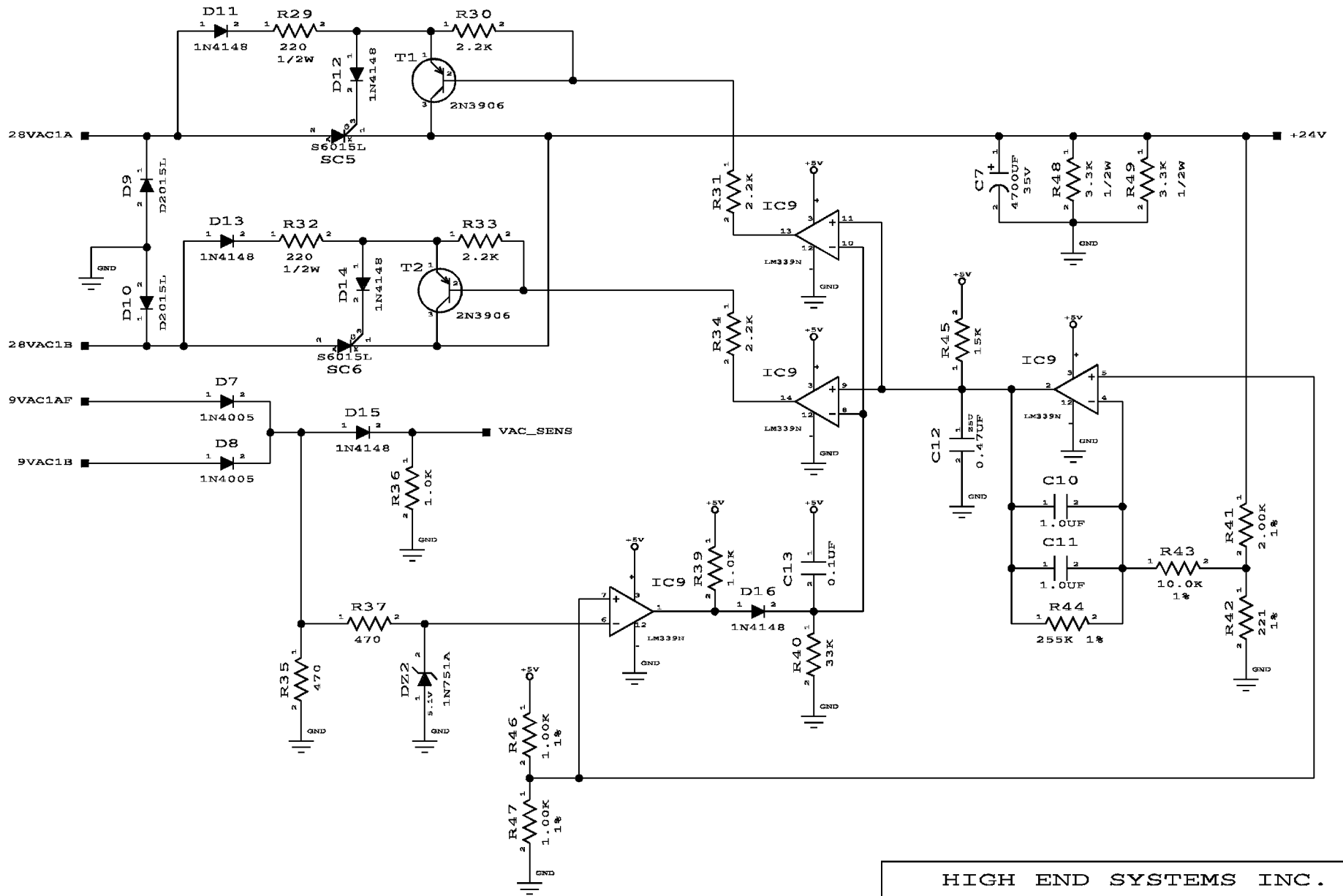
HIGH END SYSTEMS INC.			
Title:		CYBERLIGHT POWER SUPPLY MAIN	
Function:		A/D CIRCUIT 050R31	
Drawing No.	REV.	Size A2	Date 11-13-1995_14:06
99030050SCH	3.1		Page 4 of N





HIGH END SYSTEMS INC.			
Title:		CYBERLIGHT POWER SUPPLY MAIN	
Function:		LOW VOLT PS	050R31
Drawing No.	REV.	Date	11-13-1995_14:05
99030050SCH	3.1	Size A2	Page 5 of N





HIGH END SYSTEMS INC.

Title:
**CYBERLIGHT POWER SUPPLY
 MAIN**

Function:
+24V POWER SUPPLY 050R31

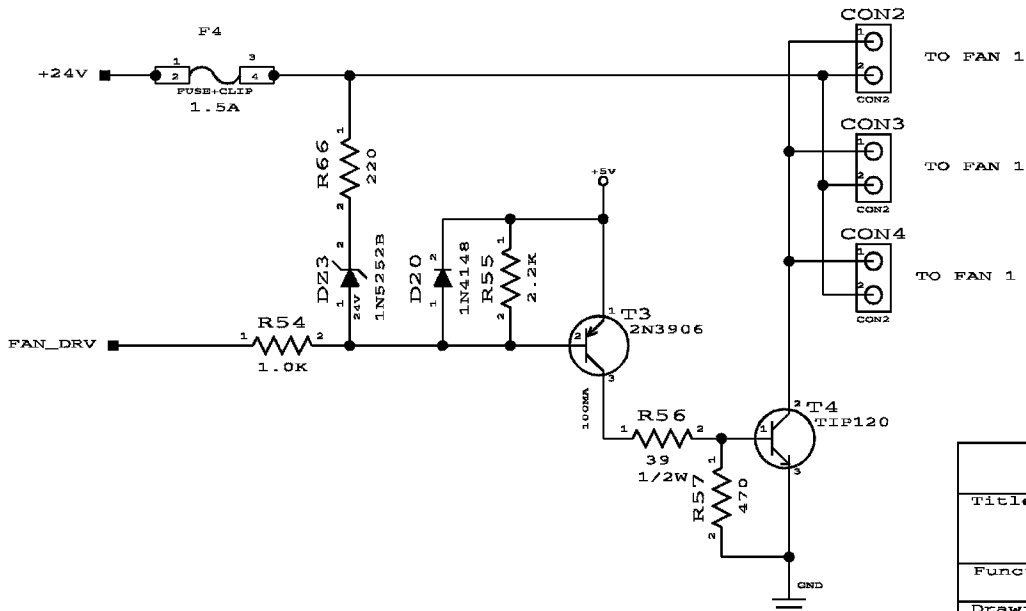
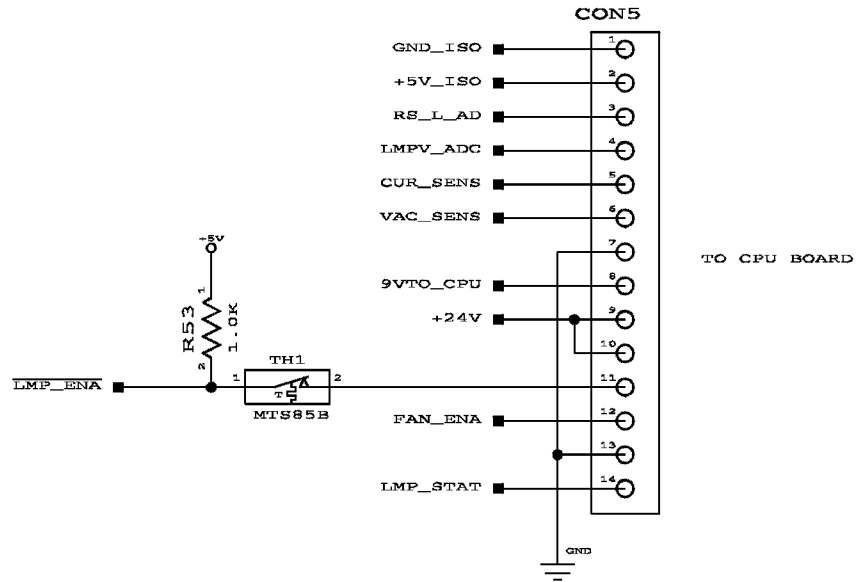


Drawing No.
99030050SCH

REV.
3.1

Size A2

Date 11-13-1995_13:51
 Page 6 of N



HIGH END SYSTEMS INC.			
Title:			
CYBERLIGHT POWER SUPPLY MAIN			
Function:		050R31	
CIRCUIT			
Drawing No.	REV.	Date	11-13-1995_13:52
99030050SCH	3.1	Size A2	Page 7 of N