

REVISION HISTORY

SCH REV	PCB REV	ECO#	DATE	COMMENT
1.0	1.0		09-10-99	INITIAL RELEASE
1.1	1.1		07-11-00	SEE ECN
1.1.2	1.1	943	04-12-02	SEE ECN
1.2	1.2	1572	09-27-04	CORRECTED K1 WIRING / ADDED RST FROM U5 to U26
1.2.1	1.2	1900	02-13-06	BOM CHANGE / DISPLAY STANDOFF

COLOR PRO ASM: 80010107 REV: 1.2.1
 PCB: 99030105 REV: 1.2

- 1) TITLE
- 2) MICROCONTROLLER (MCF5206E)
- 3) MEMORY
- 4) MODULE LINK / DISPLAY
- 5) 24V REGULATOR / RESET / DECOUPLING
- 6) AC POWER / 3.3V REGULATOR / 5V REGULATOR
- 7) DRIVERS
- 8) MUX
- 9) MOTOR DRIVERS 1,2
- 10) MOTOR DRIVERS 3,4
- 11) MOTOR DRIVER 5 / PUSHBUTTONS

Copyright (c) 1994-2005 High End Systems, Inc. All rights reserved worldwide.

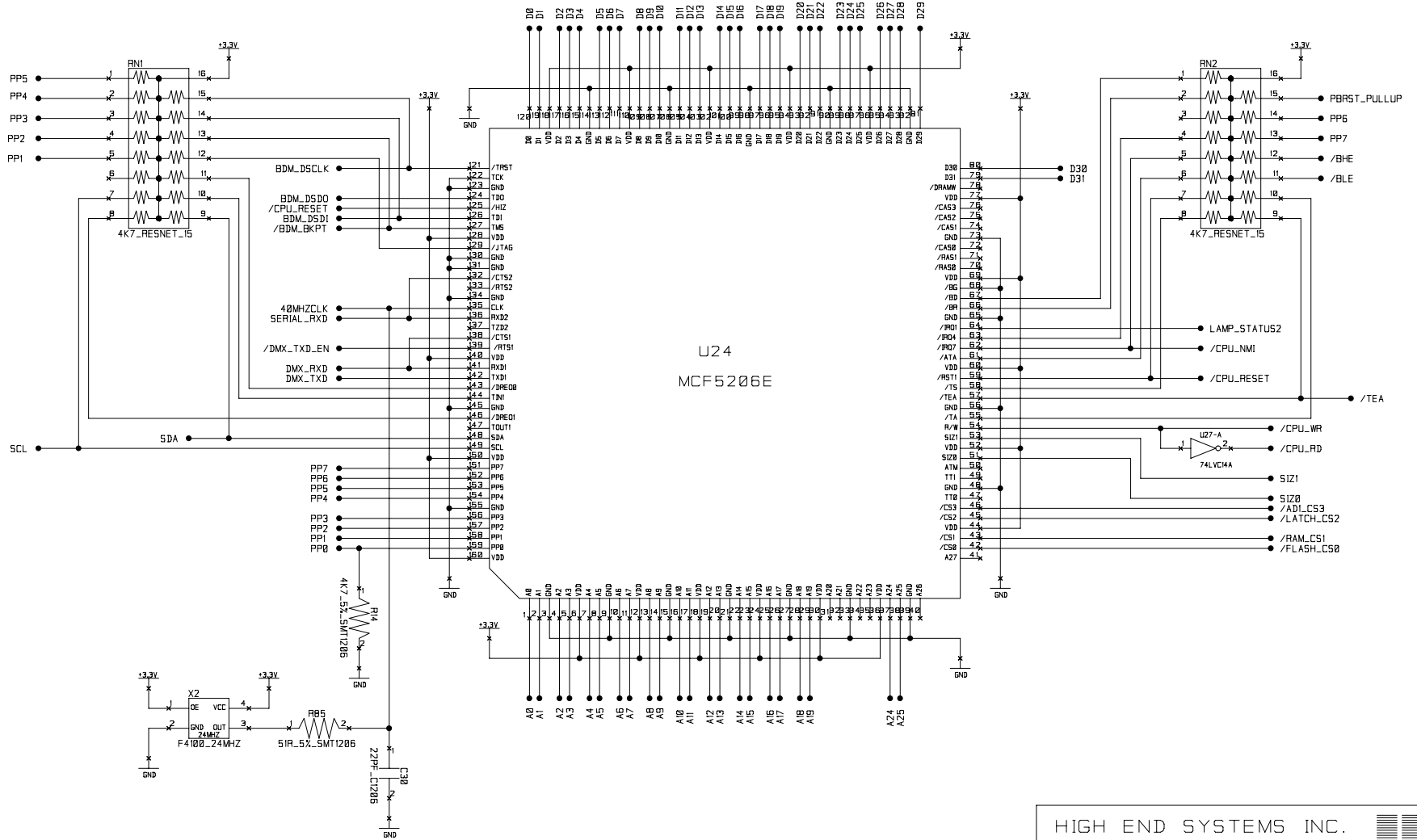
Color Pro, Lightwave Research, the Lightwave Research logo, High End Systems and the High End Systems logo are registered trademarks of High End Systems, Inc. Trademarks and trade names of others may be used in this document to refer to either such other entities or to their products. High End Systems, Inc. disclaims any proprietary interest or connection to such marks or entities.


HIGH END SYSTEMS INC.



2105 GRACY FARMS LANE
 AUSTIN, TX 78758

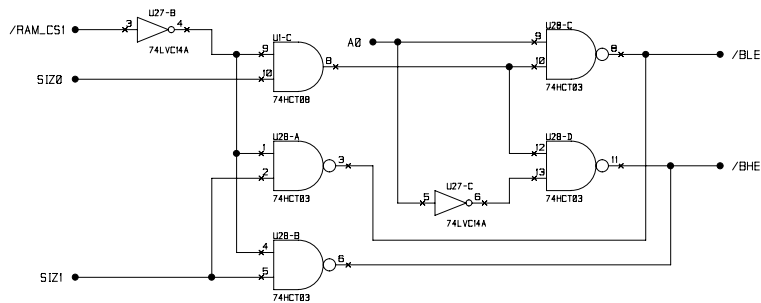
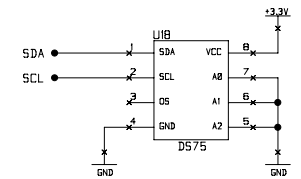
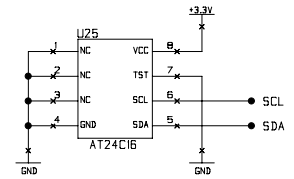
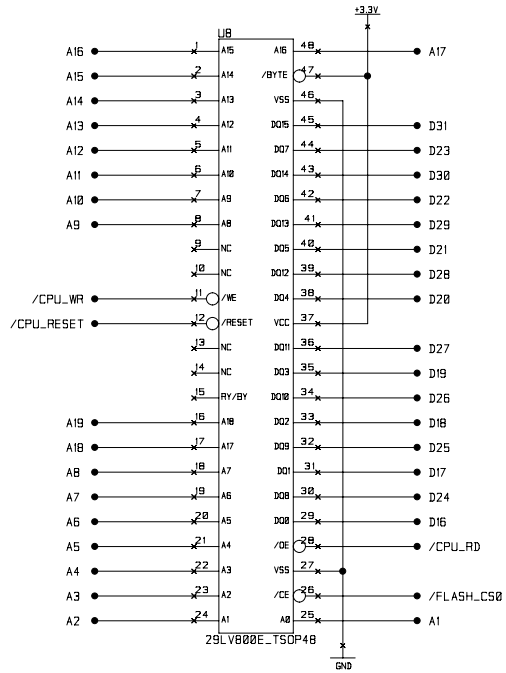
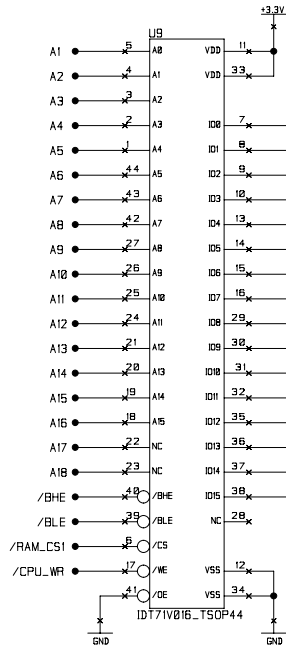
DRAWN	K. Lowe	SIZE	FSCM NO.	DWG. NO.	REV.
ISSUED	06-16-05	a		80010107	1.2.1
		SCALE			SHEET
				1 of 11	



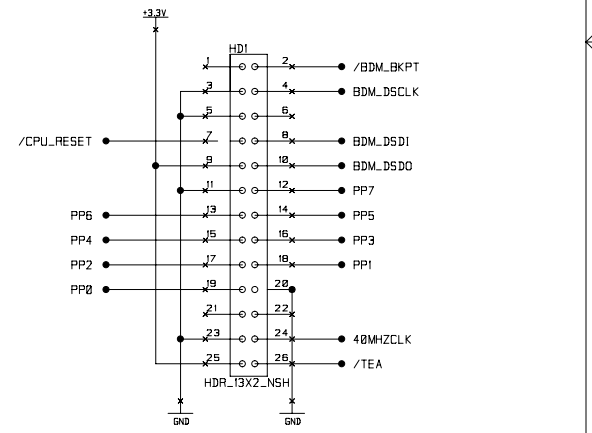
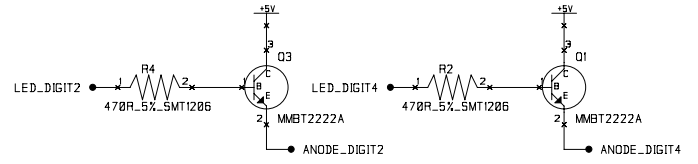
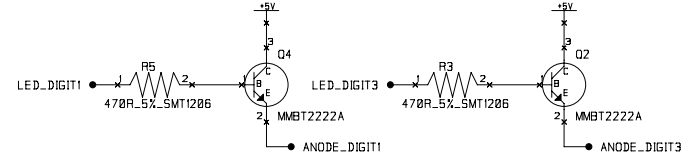
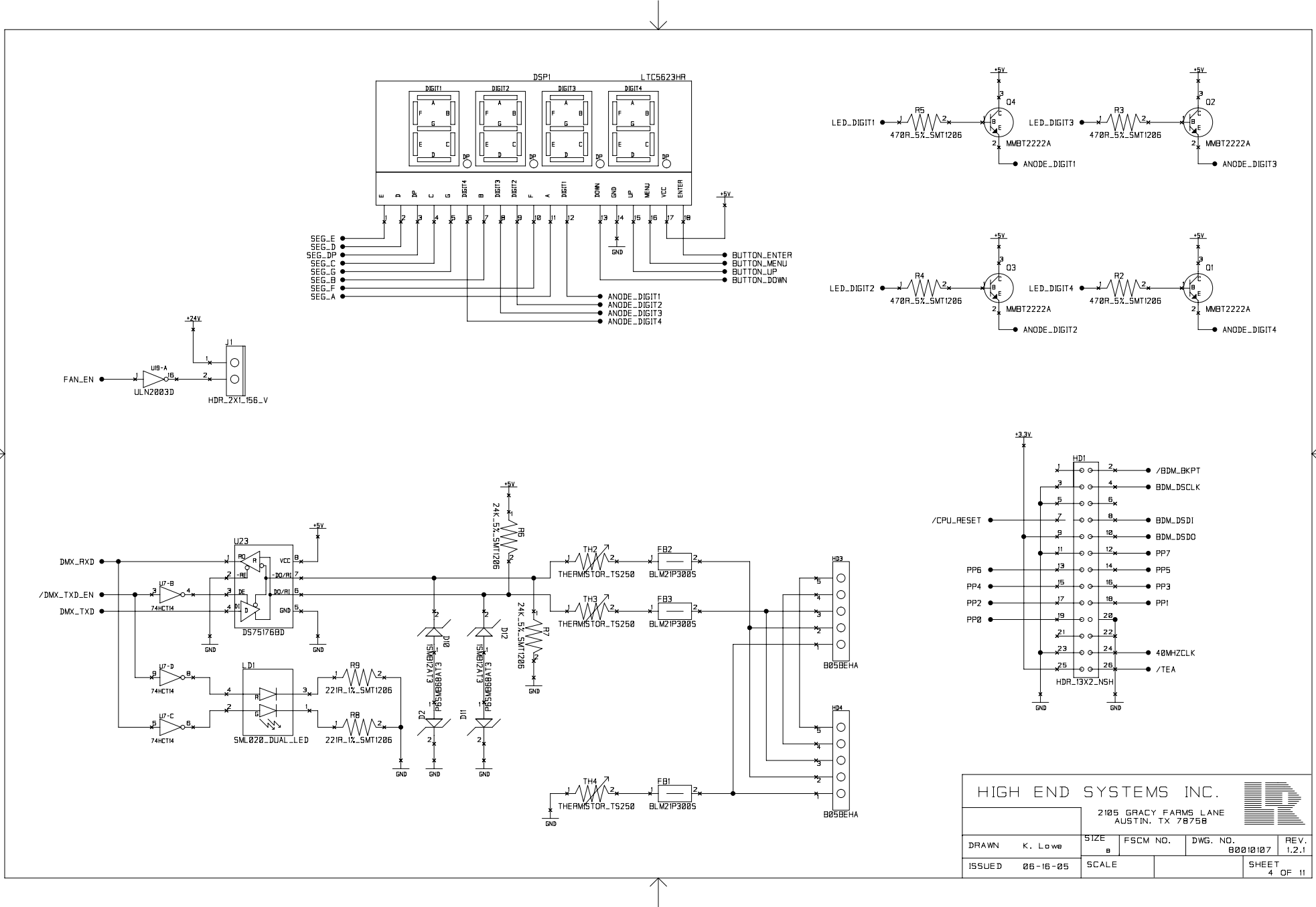
HIGH END SYSTEMS INC. 

2105 GRACY FARMS LANE
AUSTIN, TX 78758

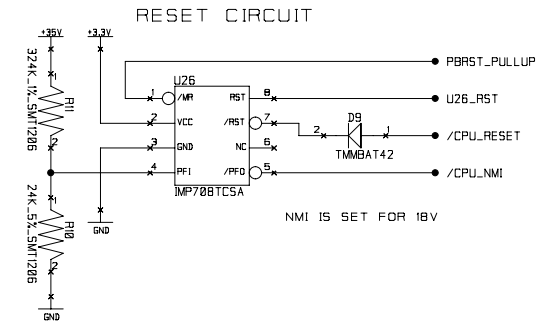
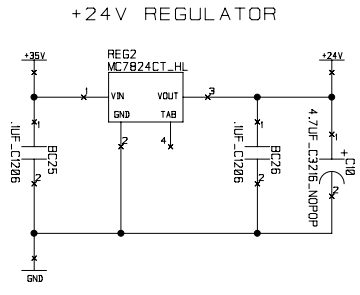
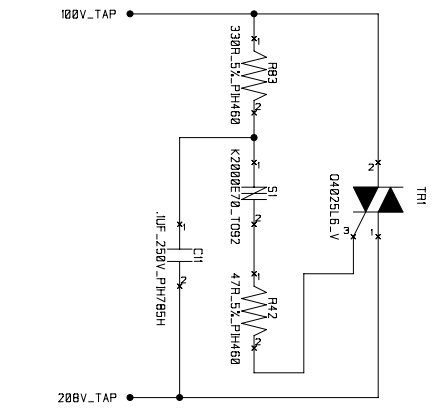
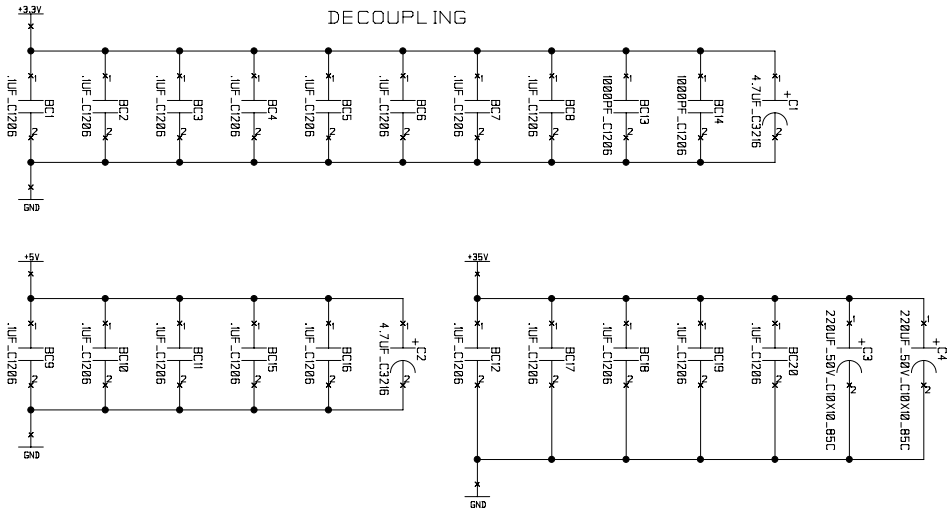
DRAWN	K. Lowe	SIZE	FSCM NO.	DWG. NO.	REV.
ISSUED	06-16-05	SCALE		00010107	1.2.1
				SHEET	2 of 11



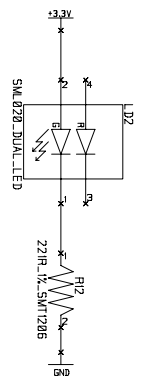
HIGH END SYSTEMS INC.		2105 GRACY FARMS LANE AUSTIN, TX 78758			
DRAWN	K. Lowe	SIZE	FSCM NO.	DWG. NO.	REV.
ISSUED	06-16-05	SCALE		80010107	1.2.1
				SHEET	3 of 11



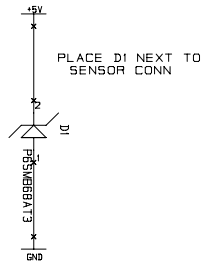
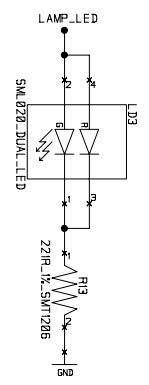
HIGH END SYSTEMS INC.		2105 GRACY FARMS LANE AUSTIN, TX 78758			
DRAWN	K. Lowe	SIZE	FSCM NO.	DWG. NO.	REV.
ISSUED	06-16-05	SCALE		80010107	1.2.1
				SHEET	4 OF 11



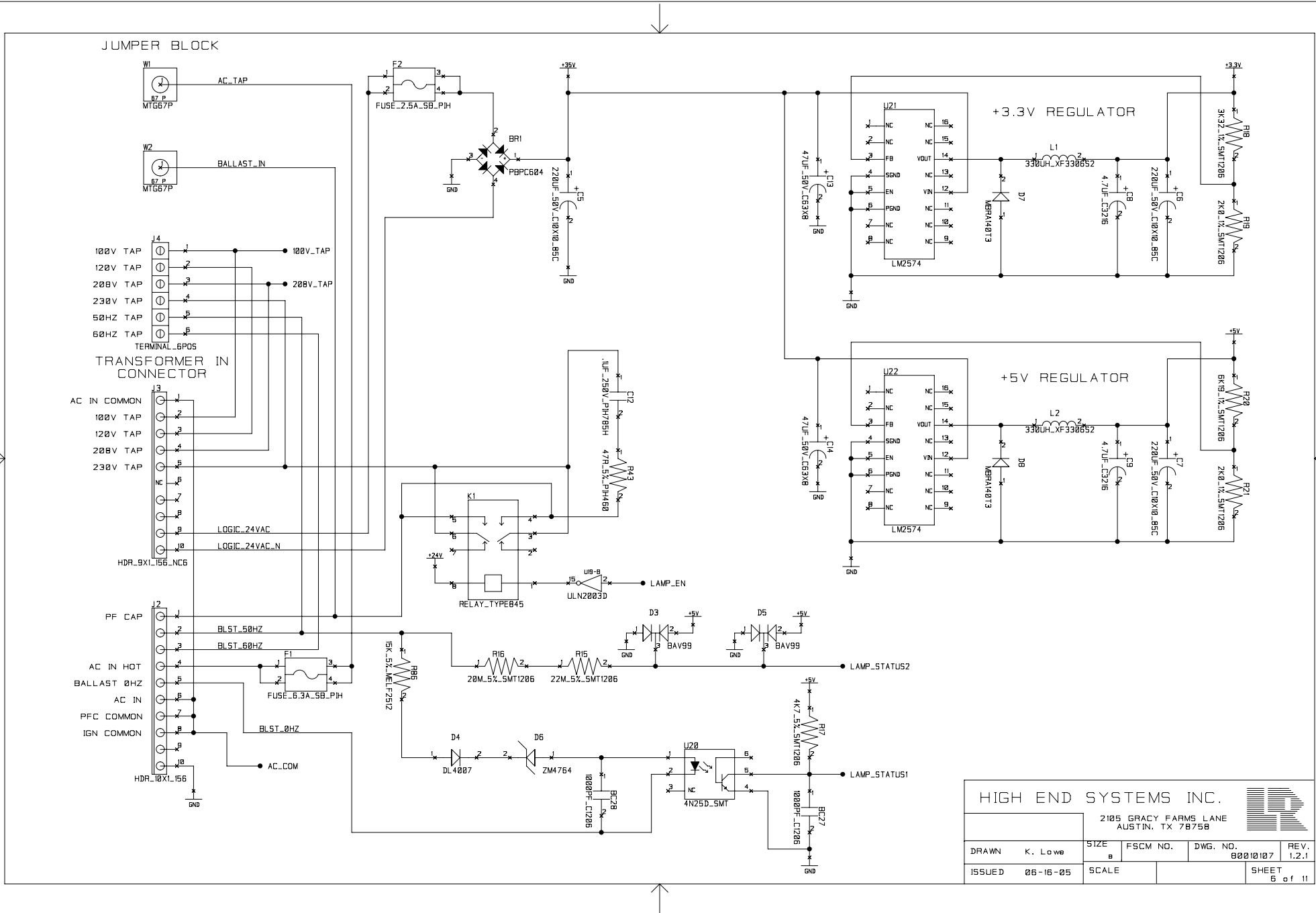
POWER LED




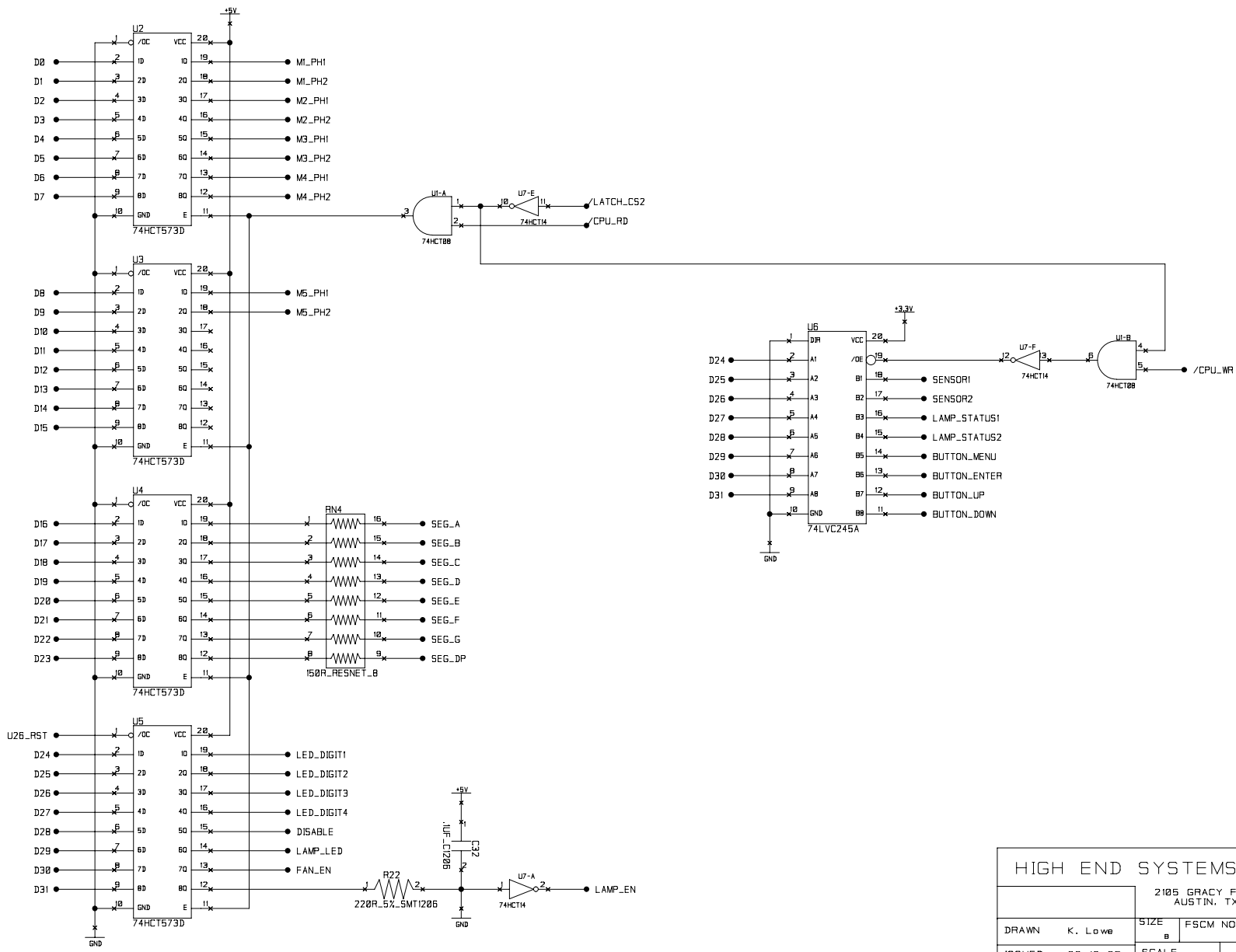
LAMP LED



HIGH END SYSTEMS INC.		2105 GRACY FARMS LANE AUSTIN, TX 78758			
DRAWN	K. Lowe	SIZE	FSCM NO.	DWG. NO.	REV.
ISSUED	06-16-05	SCALE		00010107	1.2.1
				SHEET 5 OF 11	




HIGH END SYSTEMS INC.		2105 GRACY FARMS LANE AUSTIN, TX 78758			
DRAWN	K. Lowe	SIZE	FSCM NO.	DWG. NO.	REV.
ISSUED	06-16-05	SCALE		80010107	1.2.1
				SHEET	6 of 11

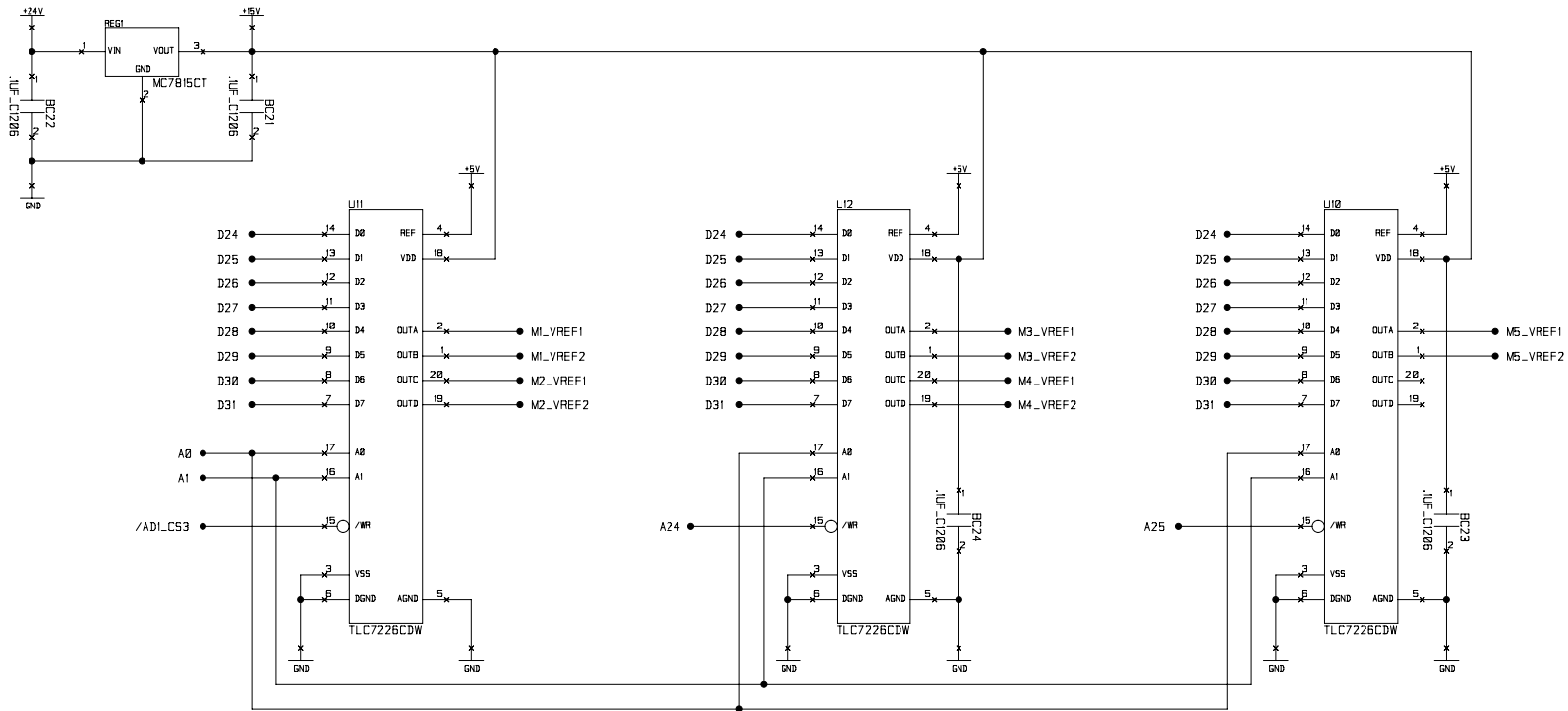



HIGH END SYSTEMS INC.

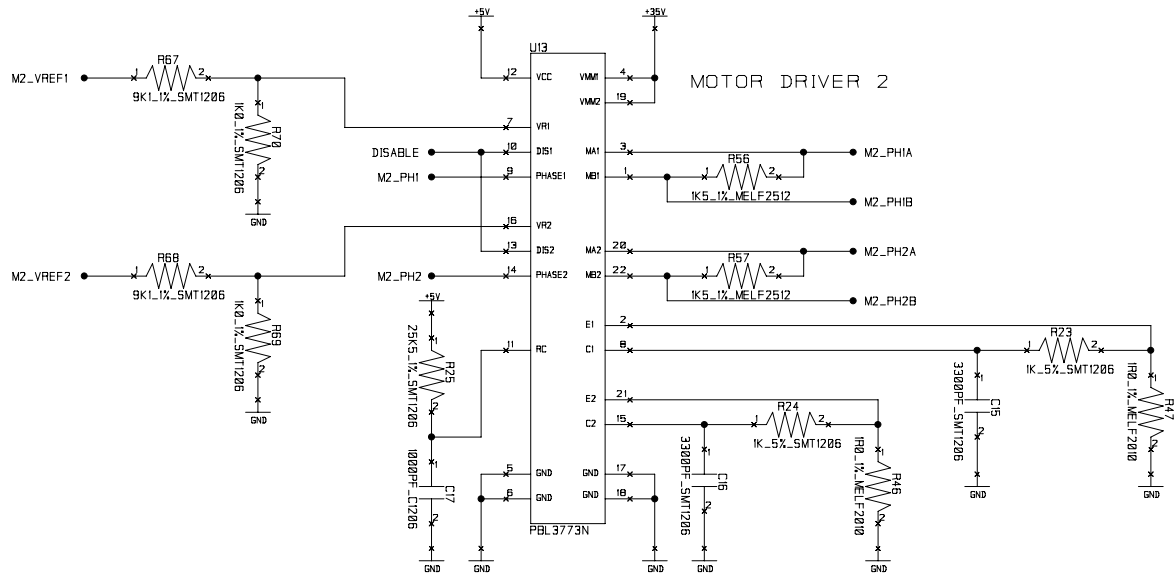
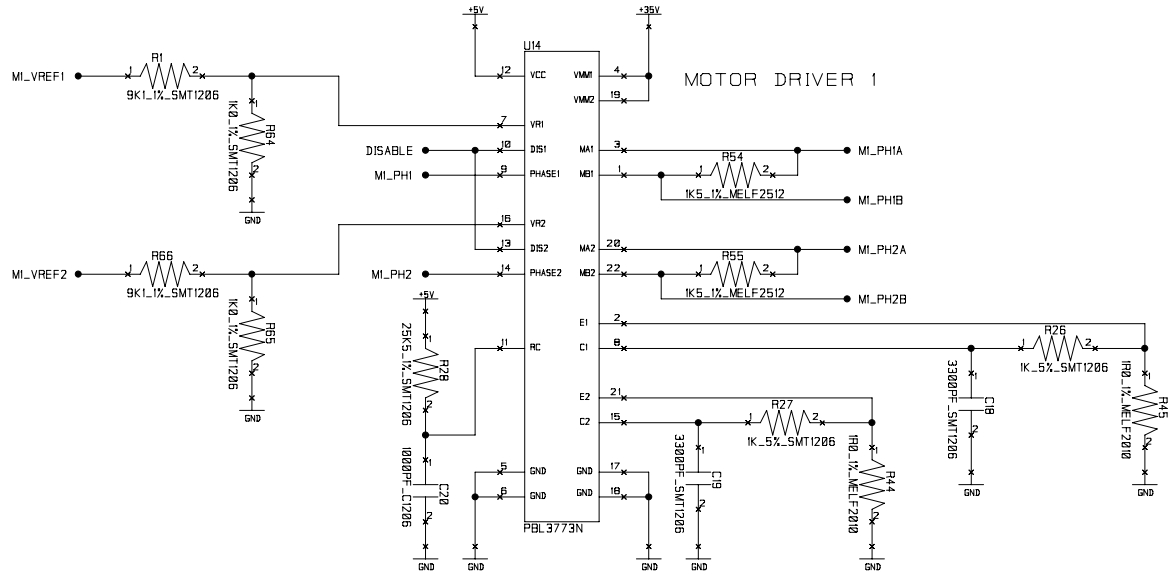
2105 GRACY FARMS LANE
AUSTIN, TX 78758




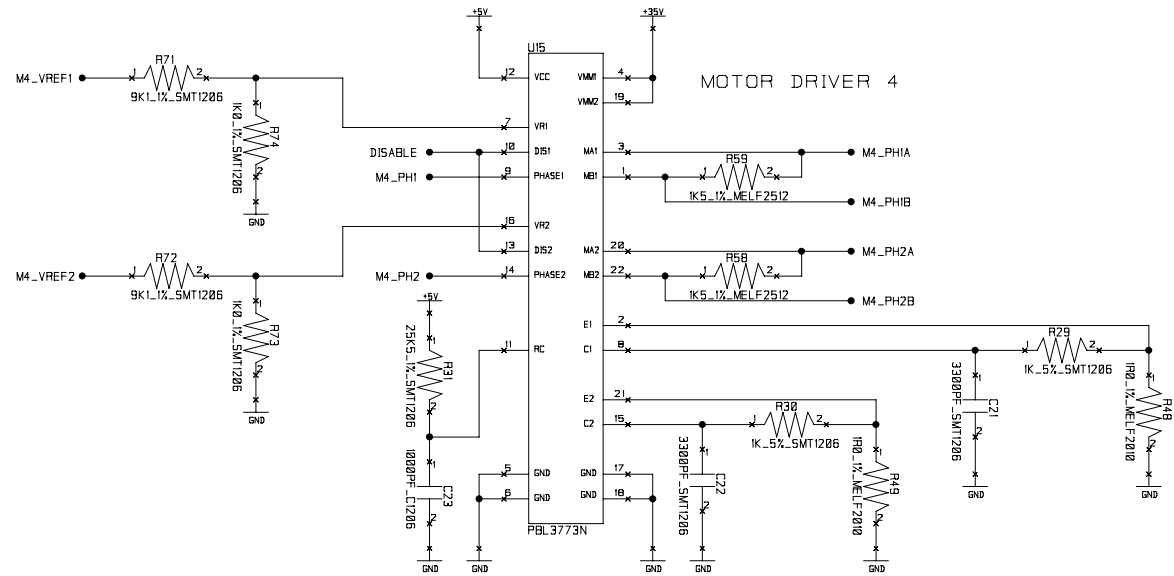
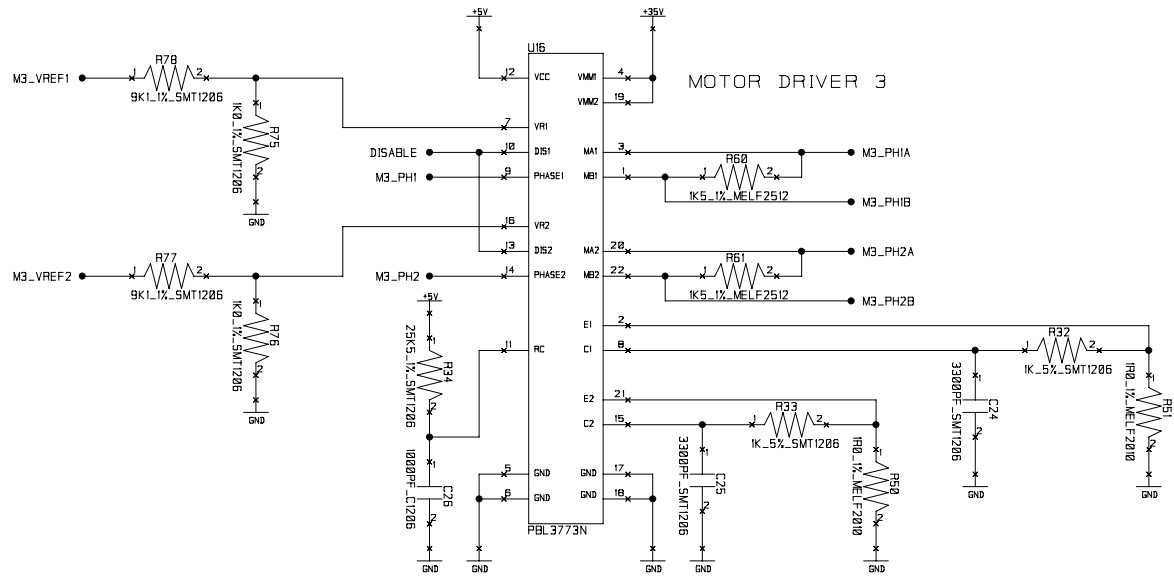
DRAWN	K. Lowe	SIZE	FSCM NO.	DWG. NO.	REV.
ISSUED	06-16-05	SCALE		80010107	1.2.1
				SHEET 7 of 11	



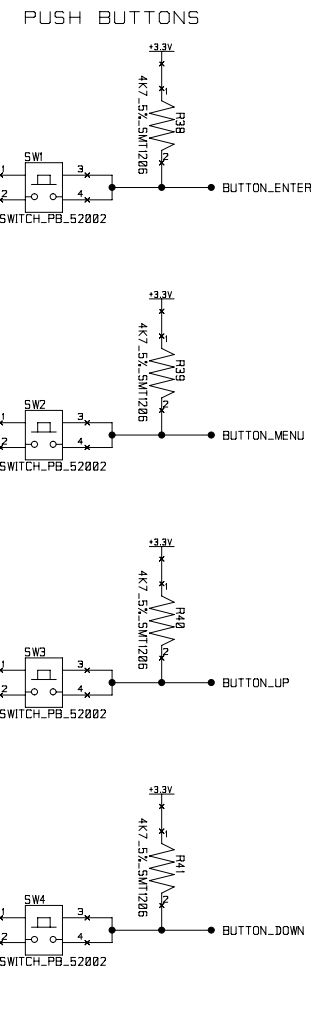
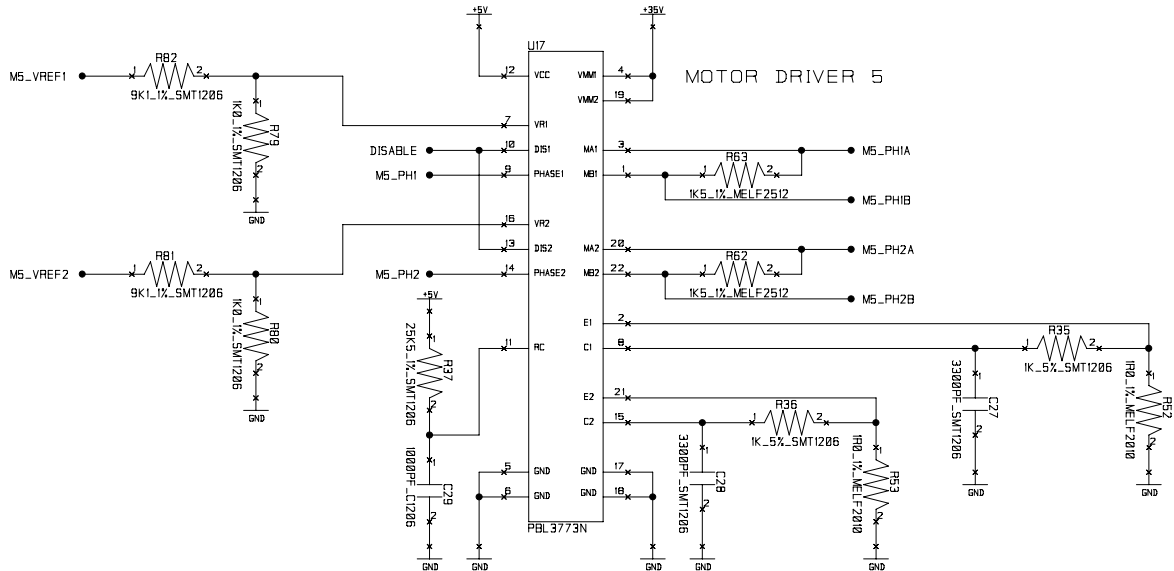
HIGH END SYSTEMS INC.					
2105 GRACY FARMS LANE AUSTIN, TX 78758					
DRAWN	K. Lowe	SIZE	FSCM NO.	DWG. NO.	REV.
ISSUED	06-16-05	SCALE		80010107	1.2.1
				SHEET 8 of 11	



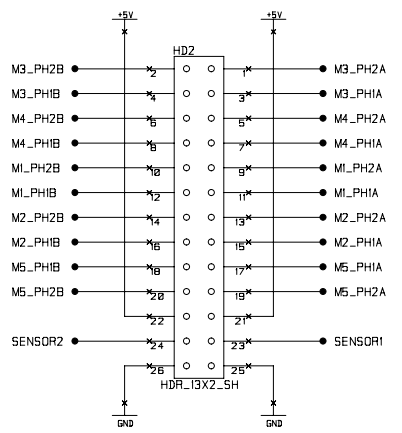
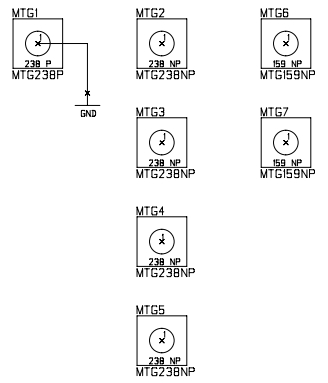
HIGH END SYSTEMS INC.		2105 GRACY FARMS LANE AUSTIN, TX 78758			
DRAWN	K. Lowe	SIZE	FSCM NO.		DWG. NO.
ISSUED	06-16-05	SCALE		80010107	REV. 1.2.1
				SHEET	9 of 11




<p>HIGH END SYSTEMS INC.</p> <p>2105 GRACY FARMS LANE AUSTIN, TX 78758</p>			



MOUNTING HOLES



HIGH END SYSTEMS INC.		2105 GRACY FARMS LANE AUSTIN, TX 78758			
DRAWN	K. Lowe	SIZE	FSCM NO.	DWG. NO.	REV.
ISSUED	06-16-05	SCALE		80010107	1.2.1
				SHEET 11 of 11	